



## HEAVY DUTY APPLICATION GUIDE

TENSIONERS & IDLER PULLEYS



# HEAVY DUTY ADVANCEMENTS INSIDE. HEAVY DUTY PERFORMANCE OUTSIDE.

## DriveAlign® Heavy-Duty Automatic Belt Tensioners

Uniquely designed from the inside out to offer true heavy duty performance that meets or exceeds OE specifications. Gates heavy duty tensioners aren't just built different, they're built to perform and they're built to last.

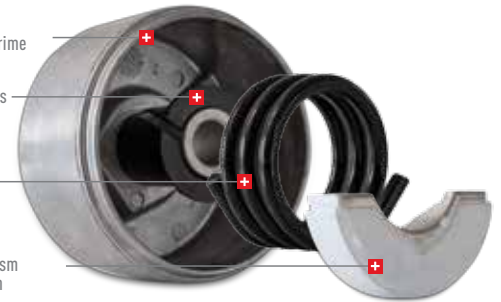
### Many OE and Competitor Tensioners

- > Weak seal allows in dirt, grime and moisture
- > Flat spring designs rely on lubricated Teflon tape to prevent coil-to-coil contact. This tape and internal lubrication attracts and collects contaminants
- > Imbalance in the design creates uneven wear, resulting in misalignment



### Gates Heavy Duty Tensioner

- > Patented labyrinth seal technology locks out dirt, grime and moisture
- > Larger pivot bushing reduces wear and maintains optimal alignment long-term
- > Superior open coil design prevents spring abrasion to provide consistent tension
- > Advanced damping mechanism limits arm movement, which reduces wear



If the serpentine belt system loses any tension, problems shortly follow:

- > Diminished system charging
- > Squealing
- > Excessive belt wear
- > Power steering loss
- > Poor A/C performance



### OE+ = TRUE HEAVY DUTY PERFORMANCE

When Detroit Diesel found that their 13 and 15 litre engines were showing premature OE tensioner failure, Gates created a custom solution. This true OE+ performance option is drop-in ready and fleet tested to over 550,000 kms - far surpassing the service life of the OE.

### Belt tensioners that are made to last:

Engineered to exceed demanding OEM requirements. In laboratory tests, under extreme peak-to-peak vibration and contamination tests, DriveAlign® heavy-duty tensioners lasted up to three times longer than competitive aftermarket tensioners.

- **Labyrinth Seal** - prevents contamination of internal parts for maximum durability and service life.
- **Machined Steel Pulley** - reduces surface wear while shielding internal bearing from outside contaminants.
- **Double Row Bearings** - twin rows of bearings carry more load and last up to three times longer than two individual bearings.
- **Optimised Components** - engineered for maximum strength and durability.
- **Patented Design** - provides superior belt alignment and tension for improved drive efficiency and life.
- **Round Spring Wire** - includes chrome-silicone torsion spring for less flex-fatigue than flat-wire designs.
- **Patented Damping Mechanism** - provides maximum stability, reducing vibration and increasing the life of belt, tensioner and other accessory drive components.



**BUILT FOR RELIABILITY. NOW, AND FOR THE LONG HAUL.**

## DriveAlign® Heavy-Duty Idler Pulleys

Long-lasting pulleys built to endure the rigors of today's heavy-duty, fleet and off-road equipment.

- Superior bearings out perform OE idler pulleys.
- Robust and high quality pulley materials to withstand contaminants.
- New hardware included on some popular applications.
- Built with precise dimensional tolerance to ensure proper fit and long lasting performance.
- Built with corrosive-resistant coating to prevent rust and increase durability.





## HEAVY DUTY TENSIONERS & IDLER PULLEYS APPLICATION GUIDE

### TENSIONERS

Heavy Duty Tensioner Application Section - Sorted by OE Part Number	2
Heavy Duty Tensioner Interchange Listing - Gates to OE	12
Heavy Duty Tensioner Images	14

### PULLEYS

Heavy Duty Pulley Dimensional Information	28
Heavy Duty Pulley Interchange Listing	29
Heavy Duty Pulley Images	30



## HEAVY DUTY TENSIONER APPLICATION SECTION - SORTED BY OE PART NUMBER

HEAVY DUTY TENSIONER APPLICATION SECTION

OEM Part Number	Gates Part Number	Engine Make	Engine Model	Equipment Make
1007774	38506	Caterpillar	-	-
1105125	38514	Caterpillar	-	-
1206659	38511	Caterpillar	-	-
1238381	38507	Caterpillar	-	-
1253725	38507	Caterpillar	-	-
1260152	38514	Caterpillar	-	-
1260153	38506	Caterpillar	-	-
127425000	38501	Detroit Diesel	6-Cyl. 12.7 L, 14.0 L, DD15	Freightliner, Sterling, Western Star
127425000	38501	Mercedes	MBE 900, MBE 4000	Freightliner, Sterling, Western Star
127427001	38597	Mercedes	MBE 4000	Freightliner, Sterling, Western Star
127846000	38503	Caterpillar	C12	Sterling
127846000	38503	Detroit Diesel	6-Cyl. 12.7 L, 14.0 L, DD15	Freightliner, Sterling, Western Star
130441000	38589	Mercedes	MBE 900	Sterling
1333528	38514	Caterpillar	-	-
1333529	38506	Caterpillar	C10, C12	Freightliner, International
1333542	38514	Caterpillar	C10, C12, 3176	International, Peterbilt
1333543	38506	Caterpillar	3176	International, Kenworth, Western Star
1333544	38514	Caterpillar	C10, C12	Freightliner
1333545	38506	Caterpillar	C10, C12, 3306	Peterbilt, Western Star
1340642	38506	Caterpillar	-	-
1352142	38506	Caterpillar	C12, C15, 3126, 3406	Ford, Freightliner, Peterbilt, Kenworth, Sterling, Western Star
1352150	38508	Caterpillar	-	-
1352151	38511	Caterpillar	C7, 3126	Ford, Freightliner, Kenworth, Peterbilt, Sterling
1353543	38506	Caterpillar	-	-
1354395	38508	Scania	DC1101, DC1102, DC1103, DC1104, DC1107, DSC1179, DC1201, DC1202, DC1203, DC1209, DSC1205, DT1202, DT1208, DC1601, DC1602, DC1603, DC1604, DC1605, DC1606, DC1608, DC1609, DC1617, DC1618, DC1619, DC1622, DSC1201, DSC1202, DT1202, DT1208, DSC1413, DSC1415, OSC11603	Scania
1359457	38514	Caterpillar	-	-
1371788	38508	Caterpillar; Scania	DC1101, DC1102, DC1103, DC1104, DC1107, DC1201, DC1202, DC1203, DC1209, DSC1179, DC1601, DC1602, DC1603, DC1604, DC1605, DC1606, DC1608, DC1609, DC1617, DC1618, DC1619, DC1622, DSC1201, DSC1202, DSC1205, DSC1413, DSC1415, DT1202, DT1208, OSC11603	Scania
1382514	38508	Caterpillar	C7, C15, C16, 3406	Freightliner, Peterbilt
1399691	38584	DAF	BE99, BE110, BE123, CE136, CE162, CE184, FR103, FR118, FR136, FR152, GR165, GR184, GR210, GR220	DAF
1399691	38584	Iveco	F4AE0481A, 481C, 481D; F4AE0681A, 681B, 681D, 681E; F4AE3481A, 3481B, 3481C, 3481D; F4AE3681A, 3681B, 3681D, 3681E	Iveco
1406486	38584	DAF	BE99, BE110, BE123, CE136, CE162, CE184, FR103, FR118, FR136, FR152, GR165, GR184, GR210, GR220	DAF
1406486	38584	Iveco	F4AE0481A, 481C, 481D; F4AE0681A, 681B, 681D, 681E; F4AE3481A, 3481B, 3481C, 3481D; F4AE3681A, 3681B, 3681D, 3681E	Iveco

\*Available on demand.

NB: OEM Part Number column is sorted numerically or alphabetically by the starting digit.

OEM Part Number	Gates Part Number	Engine Make	Engine Model	Equipment Make
1421987	38534	Caterpillar	C10, C12	Freightliner, International
1449133	38571	DAF	PE183, 228, 265; PR183, 228, 265	DAF
1459988	38508	Scania	DC1101, DC1102, DC1103, DC1104, DC1107, DSC1179, DC1201, DC1202, DC1203, DC1209, DSC1205, DT1202, DT1208, DC1601, DC1602, DC1603, DC1604, DC1605, DC1606, DC1609, DC1617, DC1618, DC1619, DC1622, DSC1201, DSC1202, DT1202, DT1208, DSC1413, DSC1415, OSC11603	Scania
1476395	38508	Scania	DC1101, DC1102, DC1103, DC1104, DC1107, DSC1179, DC1201, DC1202, DC1203, DC1209, DSC1205, DT1202, DT1208, DC1601, DC1602, DC1603, DC1604, DC1605, DC1606, DC1609, DC1617, DC1618, DC1619, DC1622, DSC1201, DSC1202, DT1202, DT1208, DSC1413, DSC1415, OSC11603	Scania
1481974	38506	Caterpillar	C10, C12	Freightliner, Kenworth, Peterbilt
1493670	38508	Scania	DC1101, DC1102, DC1103, DC1104, DC1107, DSC1179, DC1201, DC1202, DC1203, DC1209, DSC1205, DT1202, DT1208, DC1601, DC1602, DC1603, DC1604, DC1605, DC1606, DC1609, DC1617, DC1618, DC1619, DC1622, DSC1201, DSC1202, DT1202, DT1208, DSC1413, DSC1415, OSC11603	Scania
1503113	38508	Scania	DC1101, DC1102, DC1103, DC1104, DC1107, DSC1179, DC1201, DC1202, DC1203, DC1209, DSC1205, DT1202, DT1208, DC1601, DC1602, DC1603, DC1604, DC1605, DC1606, DC1609, DC1617, DC1618, DC1619, DC1622, DSC1201, DSC1202, DT1202, DT1208, DSC1413, DSC1415, OSC11603	Scania
1503114	38508	Scania	DC1101, DC1102, DC1103, DC1104, DC1107, DSC1179, DC1201, DC1202, DC1203, DC1209, DSC1205, DT1202, DT1208, DC1601, DC1602, DC1603, DC1604, DC1605, DC1606, DC1609, DC1617, DC1618, DC1619, DC1622, DSC1201, DSC1202, DT1202, DT1208, DSC1413, DSC1415, OSC11603	Scania
1503115	38650	Scania	DC1601, DC1602, DC1603, DC1604, DC1605, DC1606, DC1608, DC1609, DC1617, DC1619, DC1622	Scania
15098394	38579*	Isuzu	6HK1-TC	Isuzu
1512181	38508	Scania	-	Scania
1545982	38508	Scania	DC1101, DC1102, DC1103, DC1104, DC1107, DSC1179, DC1201, DC1202, DC1203, DC1209, DSC1205, DT1202, DT1208, DC1601, DC1602, DC1603, DC1604, DC1605, DC1606, DC1609, DC1617, DC1618, DC1619, DC1622, DSC1201, DSC1202, DT1202, DT1208, DSC1413, DSC1415, OSC11603	Scania
1545983	38508	Scania	DC1101, DC1102, DC1103, DC1104, DC1107, DSC1179, DC1201, DC1202, DC1203, DC1209, DSC1205, DT1202, DT1208, DC1601, DC1602, DC1603, DC1604, DC1605, DC1606, DC1609, DC1617, DC1618, DC1619, DC1622, DSC1201, DSC1202, DT1202, DT1208, DSC1413, DSC1415, OSC11603	Scania
1545984	38650	Scania	DC1601, DC1602, DC1603, DC1604, DC1605, DC1606, DC1608, DC1609, DC1617, DC1619, DC1622	Scania
15727065	38507	GM	-	-
15999618	38578	Caterpillar	3126	Chevrolet
1600649	38506	Caterpillar	C10, C12	Freightliner
1614978	38572*	DAF	XE 250 C, XE 280 C, XE 315 C, XE 390 C	DAF
1628148	38572*	DAF	XE 250 C, XE 280 C, XE 315 C, XE 390 C	DAF
1664973	38531	Volvo	VE D12	Volvo

NB: OEM Part Number column is sorted numerically or alphabetically by the starting digit.

\*Available on demand.

OEM Part Number	Gates Part Number	Engine Make	Engine Model	Equipment Make
1687801C91	38519	Detroit Diesel	6-Cyl. 11.1 L, 12.7 L, Series 60	International
1687819C91	38511	Detroit Diesel	6-Cyl. 11.1 L, 12.7 L, Series 60	International
1687819C91	38511	Navistar	530, DT408, DT466	International
1687819C92	38512*	Navistar	530, DT466	International
1774651	38508	Scania	DC1101, DC1102, DC1103, DC1104, DC1107, DSC1179, DC1201, DC1202, DC1203, DC1209, DSC1205, DT1202, DT1208, DC1601, DC1602, DC1603, DC1604, DC1605, DC1606, DC1609, DC1617, DC1618, DC1619, DC1622, DSC1201, DSC1202, DT1202, DT1208, DSC1413, DSC1415, OSC11G03	Scania
1774652	38508	Scania	DC1101, DC1102, DC1103, DC1104, DC1107, DSC1179, DC1201, DC1202, DC1203, DC1209, DSC1205, DT1202, DT1208, DC1601, DC1602, DC1603, DC1604, DC1605, DC1606, DC1609, DC1617, DC1618, DC1619, DC1622, DSC1201, DSC1202, DT1202, DT1208, DSC1413, DSC1415, OSC11G03	Scania
1774653	38650	Scania	DC1601, DC1602, DC1603, DC1604, DC1605, DC1606, DC1608, DC1609, DC1617, DC1619, DC1622	Scania
1779757	38699	Scania	DC922, DC924, DC929, DC930, DC932, DC935, DC936, DC937, DC938, DC939, DC1305, DC1306, DC1307, DC1308, DC1310, DC1311, DC09108, DC09112, DC09113	Scania
1814719C1	38514	Navistar	530, DT466	International
1814719C2	38514	International	-	International
1822679C1	38510	Navistar	T444	International
1822679C3	38510	Navistar	T444	International
1822679C4	38510	Navistar	T444	International
1830033C1	38514	Navistar	530, DT408, DT466, DT530	International
1830033C2	38514	Navistar	530, DT408, DT466	International
1832711C2	38629*	Navistar	MaxxForce 7, DT; VT365	International
1833688C1	38556*	Ford	V-8 6.0 L	Ford
1833688C1	38556*	Navistar	VT365	International
1833688C2	38556*	Ford	V-8 6.0 L	Ford
1833688C2	38556*	Navistar	MaxxForce 7, DT; VT365	International
1841760C1	38620*	Navistar	570, DT466, DT570, HT570, Maxx Force DT	International
1859654	38508	Scania	DC1101, DC1102, DC1103, DC1104, DC1107, DSC1179, DC1201, DC1202, DC1203, DC1209, DSC1205, DT1202, DT1208, DC1601, DC1602, DC1603, DC1604, DC1605, DC1606, DC1609, DC1617, DC1618, DC1619, DC1622, DSC1201, DSC1202, DT1202, DT1208, DSC1413, DSC1415, OSC11G03	Scania
1859657	38508	Scania	-	Scania
1870553	38699	Scania	DC922, DC924, DC929, DC930, DC932, DC935, DC936, DC937, DC938, DC939, DC1305, DC1306, DC1307, DC1308, DC1310, DC1311, DC01908, DC09112, DC09113	Scania
1873217C1	38634*	Navistar	DT466; MaxxForce 9, 10, DT	International
1873217C2	38634*	Navistar	MaxxForce 9, 10, 13, DT, DT Electric Assist	International
1900634	38507	Caterpillar	C10, C12	International
1900642	38508	Caterpillar	C15, 3406	Freightliner, International, Kenworth
1900643	38620*	Caterpillar	C15	Kenworth
1900649	38506	Caterpillar	C10, C12, C15, C16, 3406	Freightliner, International, Kenworth, Peterbilt, Sterling
2002279	38569	Caterpillar	C15	Freightliner, International, Kenworth, Peterbilt, Western Star
2028958C93	38511	International	-	International
20487079	38632	Mack	MP8	Mack

\*Available on demand.

NB: OEM Part Number column is sorted numerically or alphabetically by the starting digit.

OEM Part Number	Gates Part Number	Engine Make	Engine Model	Equipment Make
20491753	38581	Volvo	D16, VE 12, VE D12, VE D16	Volvo
20739751	38607	Mack	MP7	Mack
20739751	38607	Volvo	D11	Volvo
20762060	38671	Mack	MP7, MP8	Mack
20762060	38671	Volvo	D11, D13, VE D13	Volvo
20712505	38514	Orion	-	-
20851217	38523	Mack	AMI	Mack
20860873	38633	Mack	MP8	Mack
20860873	38633	Volvo	D13, VE D13	Volvo
20935521	38607	Cummins	ISM	Mack
20935521	38607	Mack	MP7	Mack
20935521	38607	Volvo	D11	Volvo
20966526	38585	Mack	MP10	Mack
211002501C	38659*	Nissan	MD-175, MD-230	UD [Nissan]
21145261	38581	Mack	MP10	Mack
21155561	38581	Mack	MP10	Mack
21155561	38581	Volvo	D16, VE D16	Volvo
2117895	38590	Caterpillar	C9, C11, C13, C15	Freightliner, International, Kenworth, Peterbilt, Sterling, Western Star
21257889	38547	Volvo	VE D12	Volvo
21291243	38668*	Mack	AI, AMI	Mack
21422765	38607	Cummins	ISM	Mack
21422765	38607	Mack	MP7	Mack
21422765	38607	Volvo	D11	Volvo
21422767	38585	Mack	MP10	Mack
21422767	38585	Volvo	D16, VE D16	Volvo
21454379	38671	Cummins	ISM	Mack
21454379	38671	Mack	MP7, MP8	Mack
21454379	38671	Volvo	D11, D13	Volvo
21461221	38633	Mack	MP8	Mack
21461221	38633	Volvo	D13	Volvo
21479276	38632	Mack	MP8	Mack
21500149	38680*	Volvo	D7E240, 280, 320; D7F240, 260, 300, 340	Volvo
21631484	38581	Mack	MP10	Mack
21631484	38581	Cummins	ISL	Volvo
21631484	38581	Volvo	D16	Volvo
21714847	38633	Mack	MP8	Mack
21714847	38633	Volvo	D13	Volvo
2178938	38511	Caterpillar	C15	Freightliner, International, Kenworth, Peterbilt, Western Star
2192038	38699	Scania	DC922, DC924, DC929, DC930, DC932, DC935, DC936, DC937, DC938, DC939, DC1305, DC1306, DC1307, DC1308, DC1310, DC1311, DC01908, DC09112, DC09113	Scania
2197001	38704	Scania	DC912, DC913, DC916, DC917, DC918, DC1206, DC1213, DC1214, DC1215, DC1217, DC1218, DC1222, DC1223, DC1224, DT1203, DT1206, DT1210, DT1211, DT1212, DT1214, DT1215, DT1217, DT1218, DC9E02, DC1108, DC09110	Scania
2197391	38699	Scania	DC922, DC924, DC929, DC930, DC932, DC935, DC936, DC937, DC938, DC939, DC1305, DC1306, DC1307, DC1308, DC1310, DC1311, DC09108, DC09112, DC09113	Scania
2201209	38550*	Caterpillar	C7, C9, 3126	Ford, Freightliner, Sterling
2222880	38586	Caterpillar	C7	Kenworth, Peterbilt, Sterling
23512829	38505	Detroit Diesel	-	-

NB: OEM Part Number column is sorted numerically or alphabetically by the starting digit.

\*Available on demand.

OEM Part Number	Gates Part Number	Engine Make	Engine Model	Equipment Make
23520317	38501	Detroit Diesel	6-Cyl. 11.1 L , 12.7 L, 14.0L	Freightliner, Kenworth, Peterbilt, Sterling, Western Star
23520317	38501	Mercedes	MBE 4000	Freightliner
23520450	38505	Detroit Diesel	-	-
23521020	38520	Detroit Diesel	-	-
23524436	38502	Detroit Diesel	6-Cyl. 11.1 L, 12.7 L, 14.0 L	Sterling
23526034	38520	Detroit Diesel	-	-
23527565	38501	Detroit Diesel	-	-
23530376	38502	Detroit Diesel	-	-
23550238	38511	Detroit Diesel	-	-
2362301	38609	Caterpillar	C15	Freightliner, International, Kenworth, Peterbilt, Sterling, Western Star
2756558	38635	Caterpillar	C13	Freightliner, International, Kenworth, Peterbilt
2790253	38636	Caterpillar	C15	Freightliner, International, Kenworth, Peterbilt, Sterling, Western Star
2871292	38587	Cummins	ISX, ISX12, ISX15	Freightliner, Kenworth, Peterbilt
2871293	38587	Cummins	ISX, ISX15	International, Volvo
2871294	38622*	Cummins	ISM, ISX11.9, ISX12	Kenworth, Peterbilt
2873203	38646*	Caterpillar	C13	International, Kenworth, Peterbilt
2891940	38610	Cummins	ISL9, ISX12, ISX15	Freightliner, International, Kenworth, Peterbilt
3102888	38505	Cummins	ISM	International, Kenworth, Peterbilt
3104149	38610	Cummins	ISX, ISX11.9, ISX15	Freightliner, International, Kenworth, Peterbilt, Volvo
3154315	38531	Volvo	VE D12	Volvo
3161502	38505	Cummins	-	-
3161562	38505	Cummins	ISM	Freightliner
3161562	38505	Caterpillar	C10, C12	Kenworth
3164793	38536	Cummins	N14	Volvo
3281583	38516	Cummins	-	-
3284080	38505	Cummins	-	-
3284340	38505	Cummins	-	-
3368955	38609	Caterpillar	C15	Freightliner, Kenworth, Peterbilt, Western Star
3400885	38521	Cummins	ISM, ISX	Freightliner, International, Kenworth, Peterbilt, Western Star
3401041	38537	Cummins	-	-
3508604C91	38529*	Detroit Diesel	6-Cyl. 12.7 L, Series 60	International
3543883C1	38511	Navistar	530, DT466, DT530	International
3570333	38521	Cummins	-	-
3600531000	38506	Freightliner	-	Freightliner
3680194	38532	Cummins	ISX, Signature 600	Freightliner, International, Kenworth, Mack, Peterbilt, Sterling, Volvo, Western Star
3681240	38535	Cummins	ISX, Signature 600	Freightliner, International, Kenworth, Mack, Peterbilt, Sterling, Volvo, Western Star
3682683	38610	Cummins	ISX, Signature 600	International, Kenworth, Mack, Peterbilt, Volvo
3682946	38587	Cummins	ISX, ISX15, Signature 600	International, Kenworth, Mack, Peterbilt, Volvo
3802287	38504	Cummins	-	-
3911621	38513	Cummins	-	-
3912246	38504	Cummins	-	-
3912248	38504	Cummins	-	-
3914086	38504	Cummins	-	-
3914088	38504	Cummins	-	-
3914095	38516	Cummins	-	-
3914854	38518	Cummins	-	-
3917485	38504	Cummins	-	-
3918944	38504	Cummins	-	-
3920740	38513	Cummins	-	-
3921524	38517	Cummins	-	-

\*Available on demand.

NB: OEM Part Number column is sorted numerically or alphabetically by the starting digit.



OEM Part Number	Gates Part Number	Engine Make	Engine Model	Equipment Make
3922000	38504	Cummins	-	-
3922549	38513	Cummins	-	-
3922900	38504	Cummins	B Series 5.9 L	Freightliner
3922901	38513	Cummins	-	-
3924026	38517	Cummins	-	-
3925625	38513	Cummins	-	-
3925825	38513	Cummins	-	-
3928748	38513	Cummins	-	-
3929428	38517	Cummins	-	-
3930269	38517	Cummins	-	-
3930769	38517	Cummins	-	-
3933620	38504	Cummins	-	-
3933725	38504	Cummins	-	-
3934719	38513	Cummins	-	-
3934813	38504	Cummins	-	-
3934814	38517	Cummins	-	-
3934815	38517	Cummins	-	-
3934816	38517	Cummins	-	-
3934817	38504	Cummins	-	-
3934818	38504	Cummins	-	-
3934819	38527	Cummins	ISC	Kenworth
3934820	38513	Cummins	-	-
3934821	38516	Cummins	ISB	Sterling
3934822	38518	Cummins	-	-
3934823	38513	Cummins	ISC	Freightliner
3934824	38513	Cummins	-	-
3934831	38504	Cummins	-	-
3936197	38517	Cummins	B Series 5.9 L, ISB	Ford, Freightliner
3936198	38517	Cummins	-	-
3936201	38504	Cummins	-	-
3936202	38504	Cummins	-	-
3936203	38504	Cummins	-	-
3936204	38526	Cummins	-	-
3936205	38525	Cummins	ISB, ISC	Freightliner, Peterbilt
3936206	38513	Cummins	ISC, C Series 8.3 L	Ford, Sterling
3936207	38513	Cummins	-	-
3936208	38513	Cummins	-	-
3936209	38513	Cummins	-	-
3936210	38518	Cummins	-	-
3936213	38516	Cummins	ISB, ISC, ISL, 4-Cyl 3.9 L, B series 5.9 L	Ford, Freightliner, Kenworth, Peterbilt, Sterling
3937223	38504	Cummins	-	-
3937553	38504	Cummins	ISB, ISC, C Series 8.3 L	Freightliner, Peterbilt
3937555	38525	Cummins	-	-
3937556	38513	Cummins	-	-
3938022	38504	Cummins	ISB [CNG]	Freightliner
3945527	38516	Cummins	ISB, ISC	Ford, Peterbilt
3945849	38516	Cummins	-	-
3957433	38517	Cummins	ISB	Ford, Freightliner, Kenworth, Sterling
3973819	38627	Cummins	ISC, ISL, ISL9	Freightliner, Kenworth, Mack, Peterbilt, Sterling
3973819	38627	Paccar	PX-8	Kenworth, Peterbilt
3976831	38516	Cummins	ISB, ISC, ISL, 4-Cyl. 3.9 L	Freightliner, Kenworth, Peterbilt
3976832	38513	Cummins	ISC, B Series 5.9 L, C Series 8.3 L	Freightliner, Kenworth
3976833	38517	Cummins	ISB	Ford, Kenworth
3976834	38516	Cummins	ISB	Freightliner
3978021	38517	Cummins	ISB	Sterling

OEM Part Number	Gates Part Number	Engine Make	Engine Model	Equipment Make
3978022	38504	Cummins	ISC	Peterbilt
3979979	38607	Cummins	ISM	Volvo
3979979	38607	Volvo	VE D7	Volvo
3979980	38547	Volvo	VE D7, VE D12	Volvo
4000980	38519	Cummins	-	-
4004933	38505	Cummins	ISM	Freightliner, Kenworth, Peterbilt
4026775	38532	Cummins	-	-
4059201	38532	Cummins	-	-
4299051	38587	Cummins	ISX15	Peterbilt
4572000070	38570	Mercedes	-	-
4572001470	38560	Mercedes	OM 457.937; OM 906.940, 941, 952; OM 909.911, 921, 961	Mercedes
4572001570	38561	Mercedes	-	-
4572001770	38570*	Mercedes	OM 457.937	Mercedes
4572002170	38561*	Mercedes	OM 457.942	Mercedes
4572002270	38560	Mercedes	OM 457.942	Mercedes
4572002970	38662*	Mercedes	OM 457.937, 948; OM 909.911, 921, 961	Mercedes
4572003070	38663*	Mercedes	OM 457.948	Mercedes
4572003470	38570	Mercedes	-	-
4602000770	38541	Mercedes	OM 906.961	Mercedes
4602000970	38542	Mercedes	OM 457.937	Mercedes
4891116	38584	Paccar	6-Cyl. 5.9 L	Kenworth
4920105	38622	Cummins	ISM, ISX 11.9, ISX12	International, Kenworth, Peterbilt
4937433	38631	Cummins	ISB, ISB-07	Ford, Freightliner, Sterling
4937433	38631	Paccar	PX-6	Kenworth
4P2932	38508	Caterpillar	-	-
4P3633	38507	Caterpillar	-	-
500332622	38588	Iveco	814063, 814063B, 814063C, 814063K, 814063N, 814063P, 814063R, 814063S, 814903CNG	Iveco
500346227	38656	Iveco	F2BE0642A, F2BE0682C, 0682D	Iveco
500350419	38558	Iveco	F3AE0681, 0681D, 0681E, 0681H; F3BE0681A, 0681C, 0681E, 0681F, 0681G	Iveco
504046191	38576	Iveco	F2BE0681A, 0681B, 0681D, 0681E, 0681F, F2BE3681, F2BE3681C, F3AE0681, F3AE0681D, 0681E, 0681H; F3AE3681A, 3681B; F3BE0681A, 0681C, 0681E, 0681F, 0681G; F3BEE681C, F3BE3681A, 3682B, 3682C, 3682D, 3682F; F3BEE681G, 681V	Iveco
504065874	38584	DAF	BE99, BE110, BE123, CE136, CE162, CE184, FR103, FR118, FR136, FR152, GR165, GR184, GR210, GR220	DAF
504065874	38584	Iveco	F4AE0481A, 0481C, 0481D; F4AE0681B, 0681D, 0681E; F4AE3481A, 3481B, 3481D, 3481E; F4AE3681A, 3681B, 3681D, 3681E; F4BE0641CNG	Iveco
504106749	38656	Iveco	F2BE0642A, F2BE0682C, 0682D	Iveco
504315785	38584	DAF	BE99, BE110, BE123, CE136, CE162, CE184, FR103, FR118, FR136, FR152, GR165, GR184, GR210, GR220	DAF
504315785	38584	Iveco	F4AE0481A, 0481C, 0481D; F4AE0681B, 0681D, 0681E; F4AE3481A, 3481B, 3481D, 3481E; F4AE3681A, 3681B, 3681D, 3681E; F4BE0641CNG	Iveco
517808000	38503	Detroit Diesel	6-Cyl. 12.7 L, 14.0L	Freightliner
51958007362	38593	MAN	D2840LF20, LF21	MAN
51958007391	38592	MAN	D2840LF20, LF21	MAN
51958007392	38593	MAN	D2840LF20, LF21	MAN

\*Available on demand.

NB: OEM Part Number column is sorted numerically or alphabetically by the starting digit.

OEM Part Number	Gates Part Number	Engine Make	Engine Model	Equipment Make
51958007393	38594	MAN	D2866LF20, LF21, LF22, LF23, LF24, LF25, LF26, LF27, LF28, LF29, LF30, LF31, LF32, LF34, LF35, F36, LF38, LF40, LF45; D2876LF01, LF02, LF03, LF04, LF05, LF06, LF07, LF08, LF09, LF10, LF12, LF17, LF29, LF39	MAN
51958007396	38594	MAN	D2866LF20, LF21, LF22, LF23, LF24, LF25, LF26, LF27, LF28, LF29, LF30, LF31, LF32, LF34, LF35, F36, LF38, LF40, LF45; D2876LF01, LF02, LF03, LF04, LF05, LF06, LF07, LF08, LF09, LF10, LF12, LF17	MAN
5226278000	38506	Freightliner	-	Freightliner
5264111	38631	Cummins	ISB, ISB-07	Freightliner
5264111	38631	Paccar	PX-6	Peterbilt
5412000470	38602	Mercedes	541.920, 922, 923, 925, 940, 942, 944, 946, 947, 948, 970, 972, 974, 976, 980, 990, 992, 994, 996, 998; 542.920, 921, 925, 940, 942	Mercedes
5412000570	38647	Mercedes	457915, 916, 927, 932; 542920, 921, 922, 925, 926, 940, 942, 943, 944; 904904, 905, 906, 907, 908, 909, 910, 911, 914, 915, 916, 917, 922, 923, 930, 936, 948, 949, 955, 961, 964; 924920, 922	Mercedes
5412000870	38601*	Mercedes	OM 541.923, 940, 942, 944, 946, 948; OM 542.940, 941, 948, 949	Mercedes
5412000970	38647	Mercedes	OM 542.940, 941, 942, 944, 948, 949	Mercedes
5412001170	38605*	Mercedes	OM 541.920, 921, 922, 923, 924, 925, 926, 927, 940, 941, 942, 944, 946, 948, 949; OM 542.920	Mercedes
5412001570	38601*	Mercedes	OM 541.920, 921, 922, 923, 924, 925, 926, 927, 940, 941, 942, 944, 946, 948, 949; OM 542.920, 921, 922 925	Mercedes
5412001670	38602*	Mercedes	OM 541.920, 921, 922, 923, 924, 925, 926, 927, 940, 941, 942, 944, 946, 948, 949	Mercedes
7421500149	38680	Volvo	D7E240, 280, 320; D7F240, 260, 300, 340	Volvo
7E0339	38624	Caterpillar	-	-
7E3999	38509	Caterpillar	-	-
8073465	38505	Volvo	-	Volvo
8079517	38505	Caterpillar	3406	Volvo
8079517	38505	Detroit Diesel	6-Cyl - 11.1 L; 12.7 L	Volvo
8086969	38539	Cummins	ISM	Volvo
8086971	38545	Cummins	ISM	Volvo
8149798	38531	Volvo	VE D12	Volvo
8149855	38585	Volvo	D16, VE D12, VE D16	Volvo
86013886	38514	New Holland	-	-
87840057	38511	Caterpillar	-	-
87GB33	38512	Mack	-	Mack
87GB41	38523	Mack	6-Cyl. 12.0 L , AC, AI, AMI, E7	Mack
87GB41A	38523	Mack	AC, AI, MP7	Mack
87GB41C	38523	Mack	AC, AMI, MP7; 6-Cyl. 12.0 L	Mack
87GB414AM	38668*	Mack	AMI	Mack
87GB414M	38668*	Mack	AMI	Mack
87GB44A	38617*	Mack	AC	Mack
87GB45	38611	Mack	AC	Mack
87GB45A	38611	Mack	AC, AI, AMI, E7	Mack
87GB46	38589	Mack	AC, AMI	Mack
87GB46A	38589	Mack	AC, AI, AMI, MP7	Mack
87GB47A	38599	Mack	AI, AMI	Mack
8971619590	38528*	Isuzu	V-8 5.7 L	Isuzu
8971619591	38528	Isuzu	-	Isuzu

OEM Part Number	Gates Part Number	Engine Make	Engine Model	Equipment Make	
9042000370	38647	Mercedes	457915, 916, 927, 932; 542920, 921, 922, 925, 926, 940, 942, 943, 944; 904904, 905, 906, 907, 908, 909, 910, 911, 914, 915, 916, 917, 922, 923, 930, 936, 948, 949, 955, 961, 964; 924920, 922	Mercedes	
9062000270	38559	Mercedes	356.983, 986, 989, 991, 993, 996, 999; 357.900, 901, 902, 903, 906, 907, 908, 909, 910, 916, 917, 918, 919, 920, 921, 922, 927, 929, 930, 932, 933, 940, 941, 943, 944, 946, 947, 948, 961, 962; 366.944, 945, 946, 953, 962, 966, 967, 968, 969, 970, 971, 973, 975, 976, 978, 979, 999; 902.900, 903; 904.904,, 905, 906, 907, 908, 909, 910, 911, 914, 915, 916, 917, 922, 923, 930, 936, 948, 949, 955, 961, 964; 906.900, 910, 911, 915, 916, 919, 920, 921, 922, 923, 924, 925, 926, 927, 928, 930, 931, 938, 930, 940, 941, 951, 952, 954, 956, 960, 961; 909.900, 901, 911, 921; 924.930; 926.913, 917, 919, 924, 934, 937, 945, 948	Mercedes	Mercedes
9062000570	38582	Mercedes	OM 906.910, 911, 919, 920, 921, 922, 923, 925, 926	Mercedes	
9062001470	38559*	Mercedes	OM 904.910	Mercedes	
9062001570	38582	Mercedes	457.937, 939; 906.910, 911, 915, 916, 920, 921, 923, 925, 926, 928, 939, 954, 956; 926.913, 917, 919, 937, 945, 948	Mercedes	
9062001770	38559*	Mercedes	OM 906.910, 940, 941, 952	Mercedes	
9062001870	38582	Mercedes	OM 906.920, 921	Mercedes	
9062002070	38559*	Mercedes	OM 906.911, 919, 940, 941, 952	Mercedes	
9062002470	38567	Mercedes	MBE 900 Diesel	Freightliner, Sterling	
9062003170	38567	Mercedes	MBE 900	Freightliner	
9062003670	38568	Mercedes	OM 906.910, 911, 919, 920, 921, 922, 923, 925, 926	Mercedes	
9062003770	38640	Mercedes	OM 904.907, 909, 911, 916, 922; OM906.910, 911, 919, 920, 921, 922; OM 906.920, 921, 922, 923, 925, 926; OM 906.960, 961; OM 909.900, 901, 911, 921	Mercedes	
9062003870	38647	Mercedes	457915, 916, 927, 932; 542920, 921, 922, 925, 926, 940, 942, 943, 944; 904904, 905, 906, 907, 908, 909, 910, 911, 914, 915, 916, 917, 922, 923, 930, 936, 948, 949, 955, 961, 964; 924920, 922	Mercedes	
9062003970	38642	Mercedes	OM 906.910, 911, 919; OM 906.920, 921	Mercedes	
9062004370	38643*	Mercedes	OM 906.960, 961; OM 909.900, 901, 911, 921	Mercedes	
9062004570	38640	Mercedes	900.911, 912, 913, 918, 919; 902.900, 903, 913, 914, 915, 916, 917, 918, 927, 930, 931, 932, 933, 934; 904.904, 905, 906, 906, 907, 908, 909, 910, 911, 914, 915, 916, 917, 922, 923, 930, 936, 948, 949, 955, 961, 964; 906.900, 910, 911, 915, 916, 919, 920, 921, 922, 923, 924, 925, 926, 927, 928, 930, 931, 938, 939, 940, 941, 951, 952, 954, 956, 960, 961, 994; 909.900, 901, 911, 921; 924.920, 922, 927, 930, 935; 925.920; 926.913, 917, 919, 924, 934, 937, 945, 948	Mercedes	
9062005970	38640	Mercedes	900.911, 912, 913, 918, 919; 902.900, 903, 913, 914, 915, 916, 917, 918, 927, 930, 931, 932, 933, 934; 904.904, 905, 906, 906, 907, 908, 909, 910, 911, 914, 915, 916, 917, 922, 923, 930, 936, 948, 949, 955, 961, 964; 906.900, 910, 911, 915, 916, 919, 920, 921, 922, 923, 924, 925, 926, 927, 928, 930, 931, 938, 939, 940, 941, 951, 952, 954, 956, 960, 961, 994; 909.900, 901, 911, 921; 924.920, 922, 927, 930, 935; 925.920; 926.913, 917, 919, 924, 934, 937, 945, 948	Mercedes	

\*Available on demand.

NB: OEM Part Number column is sorted numerically or alphabetically by the starting digit.

OEM Part Number	Gates Part Number	Engine Make	Engine Model	Equipment Make
99436331	38576	Iveco	F2BE0681A, 0681B, 0681D, 0681E, 0681F, F2BE3681, F2BE3681C, F3AE0681, F3AE0681D, 0681E, 0681H; F3AE3681A, 3681B; F3BE0681A, 0681C, 0681E, 0681F, 0681G; F3BEE681C, F3BE3681A, 3682B, 3682C, 3682D, 3682F; F3BEE681G, 681V	Iveco
99449176	38652	Iveco	F2BE0681A, 0681B, 0681D, 0681E, 0681F; F2BE3681, 3681C	Iveco
99471920	38576	Iveco	F2BE0681A, 0681B, 0681D, 0681E, 0681F; F2BE3681, 3681C; F3AE0681, 0681D, 0681E, 0681H; F3AE3681A, 3681B; F3BE0681, 0681A, 0681C, 0681E, 0681F, 0681G; F3BEE681C; F3BE3681A, 3681B, 3681C, 3681D, 3681F; F3BEE681G, 681V	Iveco
A4572002670	38675	Mercedes	457.927	Mercedes
A4572001970	38542	Mercedes	MBE 4000	Freightliner
A4602000770	38541	Mercedes	MBE 4000 ; OM 906.961	Freightliner, Mercedes
A4602000870	38540	Mercedes	MBE 4000	Freightliner
A4602000970	38542	Mercedes	MBE 4000	Freightliner
A4722000170	38667	Detroit Diesel	DD15	Freightliner
A4722000270	38667	Detroit Diesel	DD15	Freightliner
A4722000570	38667	Detroit Diesel	DD13, DD15, DD16	Freightliner, Western Star
A5412001570	38601	Mercedes	541.920, 921, 922, 923, 924, 925, 926, 927, 940, 941, 942, 943, 944, 945, 946, 947, 948, 949, 970, 971, 972, 973, 974, 976, 978, 980, 990, 991, 992, 993, 994, 995, 996, 997, 998, 999; 542.920, 921, 922, 925, 926, 940, 941, 942, 943, 944, 956, 957, 958, 960, 961, 962, 963, 964, 965, 968, 969	Mercedes
A9062000270	38559*	Mercedes	OM 904.907, 908, 923; OM 906.910, 920, 921, 922, 923, 925, 926; OM 906.930, 931, 960, 961; OM 909.900, 901, 911, 921	Mercedes
A9062003970	38642	Mercedes	902.913, 914, 915, 916, 917, 918, 931; 906.910, 911, 915, 916, 919, 920, 921, 923, 925, 926, 928, 939, 954, 956; 925.920; 926.913, 917, 919, 937, 945, 948	Mercedes
A9062004370	38643	Mercedes	902.927, 934; 906.930, 931, 938, 960, 961; 909.900, 901, 911, 921	Mercedes
A9062003170	38567	Mercedes	MBE 900, MBE 904, MBE 924, MBE 926	Freightliner
A9062004170	38598*	Mercedes	MBE 904, MBE 924, MBE 926	Freightliner
DC0568	38524	Caterpillar	C10, C12	Freightliner
DC090727000	38508	Caterpillar	-	-
DC090899000	38505	Caterpillar	-	-
EA4722000470	38667	Detroit Diesel	DD15	Freightliner
EA4722000570	38667	Detroit Diesel	DD13, DD15	Freightliner, Western Star
J918944	38504	Case International	-	-
RE52490	38507	John Deere	-	-
RE57498	38505	John Deere	-	-
RE64442	38530	John Deere	-	-
RE68715	38507	John Deere	-	-
RE70535	38507	John Deere	-	-
-	38587	Caterpillar	C15	Kenworth
-	38674*	Iveco	F2BE0682C, 682D	Iveco
	38678*	Mercedes	-	Mercedes
	38547	Volvo	D10B320, B360; D12C340, C380, C420, C460, D340, D380, D420, D460	Volvo
	38565	Volvo	D12A, 380, 420; D12C420, 460; D16A470; D7C250, C290, C310	Volvo
	38585	Volvo	D12C340, C380, C420, C460, D340, D380, D420, D460; D9A340, A380	Volvo
	38607	Volvo	D7C250, C290, C310; D9A340, A380	Volvo

NB: OEM Part Number column is sorted numerically or alphabetically by the starting digit.

\*Available on demand.



## HEAVY DUTY TENSIONER INTERCHANGE LISTING - GATES TO OE

HEAVY DUTY TENSIONER INTERCHANGE LISTING

Gates Part Number	OEM Part Number
38501	127425000
38501	23520317
38501	23527565
38502	23524436
38502	23530376
38503	127846000
38503	517808000
38504	3802287
38504	3912246
38504	3912248
38504	3914086
38504	3914088
38504	3917485
38504	3918944
38504	3922000
38504	3922900
38504	3933620
38504	3933725
38504	3934813
38504	3934817
38504	3934818
38504	3934831
38504	3936201
38504	3936202
38504	3936203
38504	3937223
38504	3937553
38504	3938022
38504	3978022
38504	J918944
38505	23512829
38505	23520450
38505	3102888
38505	3161502
38505	3161562
38505	3284080
38505	3284340
38505	4004933
38505	8073465
38505	8079517
38505	DC090899000
38505	RE57498
38506	1007774
38506	1260153
38506	1333529
38506	1333543
38506	1333545
38506	1340642
38506	1352142
38506	1353543
38506	1481974
38506	1600649
38506	1900649
38506	3600531000
38506	5226278000
38506	5326278000
38507	1238381
38507	1253725
38507	1900634

Gates Part Number	OEM Part Number
38507	15727065
38507	4P3633
38507	RE518097
38507	RE52490
38507	RE68715
38507	RE70535
38508	1352150
38508	1354395
38508	1371788
38508	1382514
38508	1459988
38508	1476395
38508	1493670
38508	1503113
38508	1503114
38508	1512181
38508	1545982
38508	1545983
38508	1774651
38508	1774652
38508	1859654
38508	1859657
38508	1900642
38508	4P2932
38508	DC090727000
38509	1450261
38509	7E3999
38510	1822679C1
38510	1822679C3
38510	1822679C4
38511	1206659
38511	1352151
38511	1687819C91
38511	2028958C93
38511	2178938
38511	23550238
38511	87840057
38511	3543883C1
38512	1687819C91
38512	1687819C92
38512	87GB33
38513	3911621
38513	3920740
38513	3922549
38513	3922901
38513	3925625
38513	3925825
38513	3928748
38513	3934719
38513	3934820
38513	3934823
38513	3934824
38513	3936206
38513	3936207
38513	3936208
38513	3936209
38513	3937556
38513	3976832
38514	1105125

Gates Part Number	OEM Part Number
38514	1260152
38514	1333528
38514	1333542
38514	1333544
38514	1359457
38514	1814719C1
38514	1814719C2
38514	1830033C1
38514	1830033C2
38514	20712505
38514	86013886
38516	3281583
38516	3914095
38516	3934821
38516	3936213
38516	3945527
38516	3945627
38516	3945849
38516	3976831
38516	3976834
38517	3921524
38517	3924026
38517	3929428
38517	3930269
38517	3930769
38517	3934814
38517	3934815
38517	3934816
38517	3936197
38517	3936198
38517	3957433
38517	3976833
38517	3978021
38518	3914854
38518	3934822
38518	3936210
38519	1687801C91
38519	4000980
38520	23521020
38520	23526034
38520	23533015
38521	3400885
38521	3570333
38522	RE70536
38523	20851217
38523	87GB41
38523	87GB41A
38523	87GB41C
38524	DC0568
38525	3936205
38525	3937555
38526	3936204
38527	3934819
38528	8971619590
38528	8971619591
38528	97161959
38529	3508604C91
38530	RE64442
38531	1664973

NB: OEM Part Number column is sorted numerically or alphabetically by the starting digit.

Gates Part Number	OEM Part Number	Gates Part Number	OEM Part Number	Gates Part Number	OEM Part Number
38531	3154315	38582	9062001870	38636	2790253
38531	8149798	38584	1399691	38640	9062003770
38532	3680194	38584	1406486	38640	9062004570
38532	4026775	38584	4891116	38640	9062005970
38532	4059201	38584	504065874	38642	9062003970
38534	1421987	38584	504315785	38642	A9062003970
38535	3681240	38585	20966526	38643	9062004370
38536	3164793	38585	21422767	38643	A9062004370
38537	3102889	38585	8149855	38646	2873203
38537	3401041	38586	15170283	38647	5412000570
38539	8086969	38586	2222880	38647	5412000970
38540	A4602000870	38587	2871292	38647	9042000370
38541	4602000770	38587	2871293	38647	9062003870
38541	A4602000770	38587	3682946	38650	1503115
38541	A4602000770	38587	4299051	38650	1545984
38542	4602000970	38588	500332622	38650	1774653
38542	A4572001970	38589	130441000	38652	99449176
38542	A4602000970	38589	87GB46	38654	RE70536
38545	8086971	38589	87GB46A	38656	500346227
38547	21257889	38590	2117895	38656	504106749
38547	3979980	38591	RE506352	38659	21100Z501C
38548	12597859	38592	51958007391	38662	4572002970
38548	15008841	38593	51958007362	38663	4572003070
38550	2201209	38593	51958007392	38667	A4722000170
38551	23521638	38594	51858007393	38667	A4722000270
38552	3936212	38594	51958007396	38667	A4722000570
38555	10009072	38597	127427001	38667	EA4722000470
38555	81310508	38598	129079000	38667	EA4722000570
38556	1833688C1	38598	A9062004170	38668	21291243
38556	1833688C2	38599	87GB47A	38668	87GB414AM
38557	15083306	38601	5412000870	38668	87GB414M
38558	500350419	38601	5412001570	38671	20762060
38559	9062000270	38601	A5412001570	38671	21454379
38559	9062001470	38602	5412000470	38675	A4572002670
38559	9062001770	38602	5412001670	38680	21500149
38559	9062002070	38605	5412001170	38680	7421500149
38559	A9062000270	38607	3979979	38699	1779757
38560	4572001470	38607	20739751	38699	1870553
38560	4572002270	38607	20935521	38699	2192038
38561	4572001570	38607	21422765	38699	2197391
38561	4572002170	38609	2362301	38704	2197001
38567	1833688C2	38609	3368955		
38567	9062002470	38610	2891940		
38567	9062003170	38610	3104149		
38567	A9062003170	38610	3682683		
38568	9062003670	38611	87GB45		
38569	2002279	38611	87GB45A		
38569	23527677	38617	87GB44A		
38570	4572000070	38620	1841760C1		
38570	4572001770	38620	1900643		
38570	4572003470	38622	2871294		
38571	1449133	38622	4920105		
38572	1614978	38624	7E0339		
38572	1628148	38627	3973819		
38576	504046191	38629	1832711C2		
38576	99436331	38631	4937433		
38576	99471920	38631	5264111		
38578	15999618	38632	20487079		
38579	15098394	38632	21479276		
38581	20491753	38633	20860873		
38581	21145261	38633	21461221		
38581	21155561	38633	21714847		
38581	21631484	38634	1873217C1		
38582	9062000570	38634	1873217C2		
38582	9062001570	38635	2756558		



**Pulley: O.D.: 75mm, Width: 32.5mm**

**38501**



**Pulley: O.D.: 75mm, Width: 32.5mm**

**38502**



**Pulley: O.D.: 75mm, Width: 40mm**

**38503**



**Pulley: O.D.: 75mm, Width: 40mm**

**38504**



**Pulley: O.D.: 75mm, Width: 40mm**

**38505**



**Pulley: O.D.: 75mm, Width: 40mm**

**38506**



**Pulley: O.D.: 75mm, Width: 40mm**

**38507**



**Pulley: O.D.: 75mm, Width: 40mm**

**38508**

NB: Tensioners with identical images differ in their direction of rotation (load to free) and/or torque.





**Pulley O.D.: 75mm, Width: 32.5mm**

**38509**



**Pulley O.D.: 75mm, Width: 46.5mm**

**38510**



**Pulley O.D.: 75mm, Width: 40mm**

**38511**



**Pulley O.D.: 75mm, Width: 40mm**

**38512**



**Pulley O.D.: 75mm, Width: 40mm**

**38513**



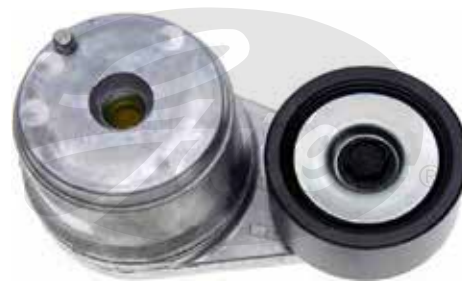
**Pulley O.D.: 75mm, Width: 40mm**

**38514**



**Pulley O.D.: 76.8mm, Width: 33.3mm**

**38516**



**Pulley O.D.: 75mm, Width: 32.5mm**

**38517**



**Pulley: O.D.: 76.8mm, Width: 33.3mm**

**38518**



**Pulley: O.D.: 75mm, Width: 46mm**

**38519**



**Pulley: O.D.: 75mm, Width: 57mm**

**38520**



**Pulley: O.D.: 75mm, Width: 43mm**

**38521**



**Pulley: O.D.: 75mm, Width: 40mm**

**38523**



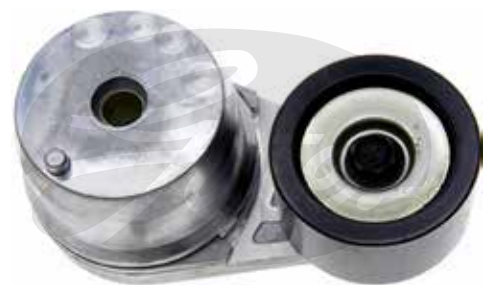
**Pulley: O.D.: 75mm, Width: 40mm**

**38524**



**Pulley: O.D.: 76.8mm, Width 33.3mm**

**38525**



**Pulley: O.D.: 75mm, Width: 40mm**

**38526**

NB: Tensioners with identical images differ in their direction of rotation [load to free] and/or torque.



**Pulley: O.D.: 76.8mm, Width: 33.3mm**

**38527**



**Pulley: O.D.: 78mm, Width: 26mm**

**38528**



**Pulley: O.D.: 75mm, Width: 46.4mm**

**38529**



**Pulley: O.D.: 75mm, Width: 47.54mm**

**38530**



**Pulley: O.D.: 70mm, Width: 37.1mm**

**38531**



**Pulley: O.D.: 75mm, Width: 32.5mm**

**38532**



**Pulley: O.D.: 74mm, Width: 46.4mm**

**38534**



**Pulley: O.D.: 75mm, Width: 46.4mm**

**38535**



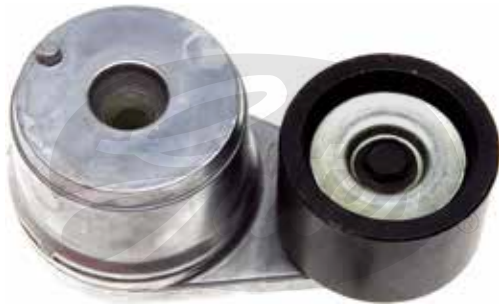
**Pulley: O.D.: 74mm, Width: 43mm**

**38536**



**Pulley: O.D.: 75mm, Width: 46.5mm**

**38537**



**Pulley: O.D.: 75mm, Width: 46.5mm**

**38539**



**Pulley: O.D.: 75mm, Width: 40mm**

**38540**



**Pulley: O.D.: 75mm, Width: 40mm**

**38541**



**Pulley: O.D.: 82mm, Width: 33.3mm**

**38542**



**Pulley: O.D.: 76mm, Width: 25mm**

**38545**



**Pulley: O.D.: 75mm, Width: 37mm**

**38547**

NB: Tensioners with identical images differ in their direction of rotation (load to free) and/or torque.



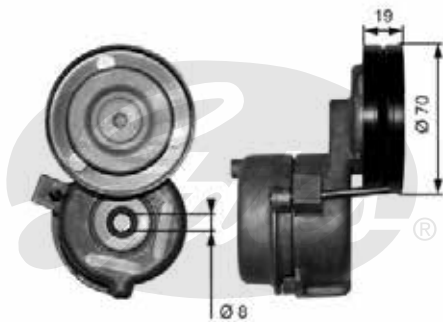
Pulley: O.D.: 75mm, Width: 40mm

**38550**



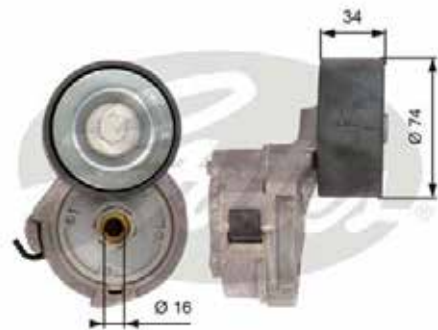
Pulley: O.D.: 86.5mm, Width: 40mm

**38556**



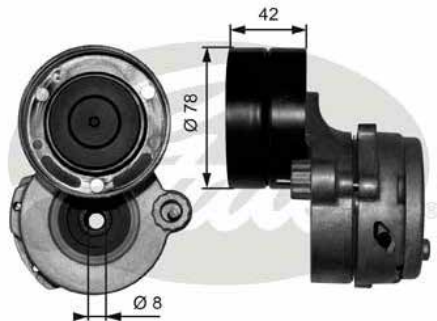
Pulley: O.D.: 70mm, Width: 19mm

**38558**



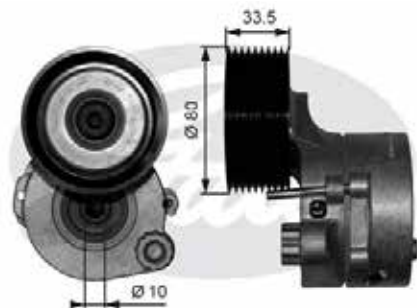
Pulley: O.D.: 74mm, Width: 34mm

**38559**



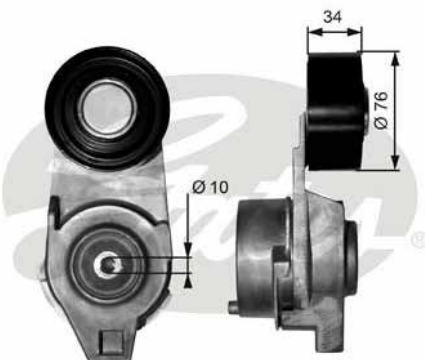
Pulley: O.D.: 78mm, Width: 42mm

**38560**



Pulley: O.D.: 80mm, Width: 33.5mm

**38561**



Pulley: O.D.: 76mm, Width: 34mm

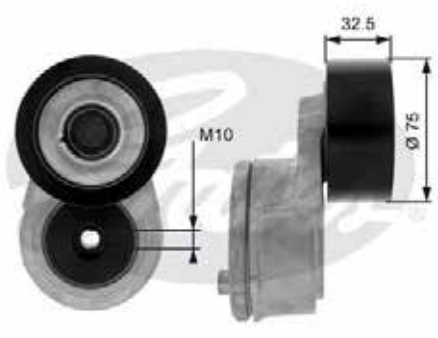
**38565**



Pulley: O.D.: 75mm, Width: 32.5mm

**38567**

NB: Tensioners with identical images differ in their direction of rotation (load to free) and/or torque.



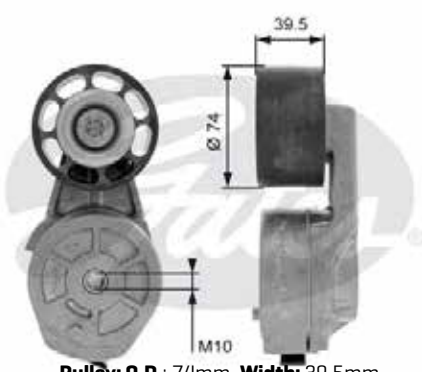
**Pulley: O.D.: 75mm, Width: 32.5mm**

**38568**



**Pulley: O.D.: 75mm, Width: 32.5mm**

**38569**



**Pulley: O.D.: 74mm, Width: 39.5mm**

**38570**



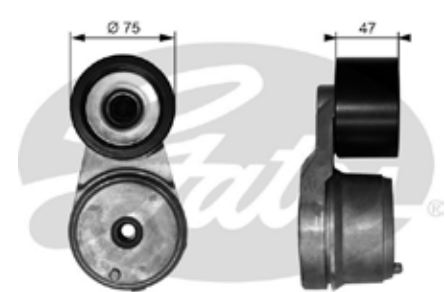
**Pulley: O.D.: 85mm, Width: 34mm**

**38571**



**Pulley: O.D.: 85mm, Width: 32.5mm**

**38572**



**Pulley: O.D.: 75mm, Width: 40mm**

**38576**



**Pulley: O.D.: 75mm, Width: 40mm**

**38578**



**Pulley: O.D.: 86.5mm, Width: 40mm**

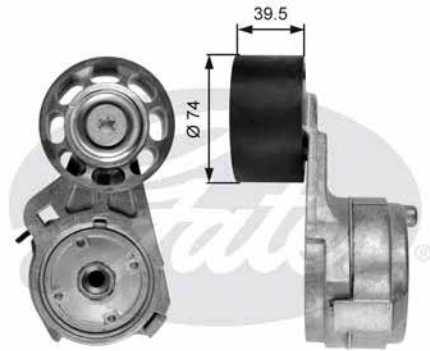
**38579**

NB: Tensioners with identical images differ in their direction of rotation [load to free] and/or torque.



**Pulley: O.D.: 78mm, Width: 38mm**

**38581**



**Pulley: O.D.: 74mm, Width: 39.5mm**

**38582**



**Pulley: O.D.: 86.5mm, Width: 32mm**

**38584**



**Pulley: O.D.: 75mm, Width: 40mm**

**38585**



**Pulley: O.D.: 75mm, Width: 40mm**

**38586**



**Pulley: O.D.: 76.3mm, Width: 57mm**

**38587**



**Pulley: O.D.: 65mm, Width: 23mm**

**38588**



**Pulley: O.D.: 76mm, Width: 25mm**

**38589**



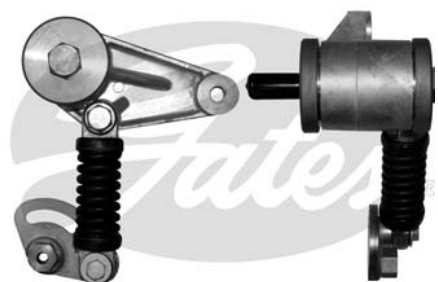
Pulley: O.D.: 76mm, Width: 46mm

**38590**



Pulley: O.D.: 85mm, Width: 48mm

**38592**



Pulley: O.D.: 65mm, Width: 36mm

**38593**



Pulley: O.D.: 65mm, Width: 36mm

**38594**



Pulley: O.D.: 75mm, Width: 32.5mm

**38597**



Pulley: O.D.: 75mm, Width: 32.5mm

**38598**



Pulley: O.D.: 76mm, Width: 25mm

**38599**



Pulley: O.D.: 74mm, Width: 34mm

**38601**

NB: Tensioners with identical images differ in their direction of rotation (load to free) and/or torque.





**Pulley: O.D.: 94mm, Width: 46mm**

**38602**



**Pulley: O.D.: 80mm, Width: 44mm**

**38605**



**Pulley: O.D.: 75mm, Width: 40mm**

**38607**



**Pulley: O.D.: 74mm, Width: 57mm**

**38609**



**Pulley: O.D.: 75mm, Width: 40mm**

**38610**



**Pulley: O.D.: 75mm, Width: 46.4mm**

**38611**



**Pulley: O.D.: 80mm, Width: 30mm**

**38617**



**Pulley: O.D.: 75mm, Width: 40mm**

**38620**

NB: Tensioners with identical images differ in their direction of rotation (load to free) and/or torque.



**Pulley: O.D.: 74mm, Width: 43mm**

**38622**



**Pulley: O.D.: 75mm, Width: 32.5mm**

**38624**



**Pulley: O.D.: 76.8mm, Width: 33.3mm**

**38627**



**Pulley: O.D.: 78mm, Width: 30mm**

**38629**



**Pulley: O.D.: 60mm, Width: 32.5mm**

**38631**



**Pulley: O.D.: 75mm, Width: 40mm**

**38632**



**Pulley: O.D.: 75mm, Width: 46.4mm**

**38633**



**Pulley: O.D.: 75mm, Width: 46.4mm**

**38634**

NB: Tensioners with identical images differ in their direction of rotation (load to free) and/or torque.



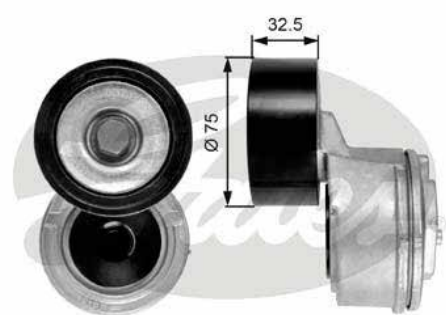
Pulley: O.D.: 78mm, Width: 31mm

**38635**



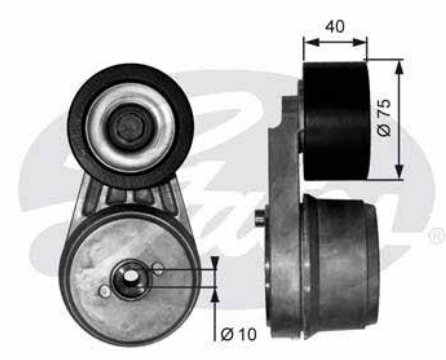
Pulley: O.D.: 76mm, Width: 28mm

**38636**



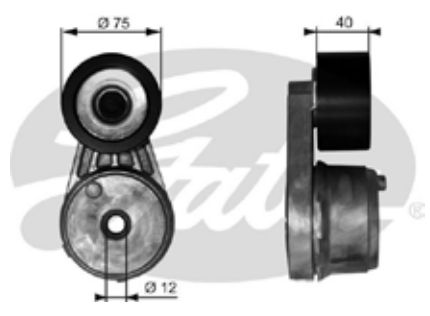
Pulley: O.D.: 75mm, Width: 32.5mm

**38640**



Pulley: O.D.: 75mm, Width: 40mm

**38642**



Pulley: O.D.: 75mm, Width: 40mm

**38643**



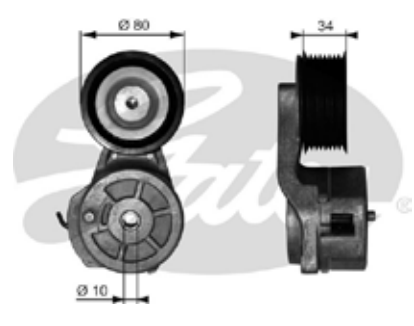
Pulley: O.D.: 75mm, Width: 40mm

**38646**



Pulley: O.D.: 75mm, Width: 40mm

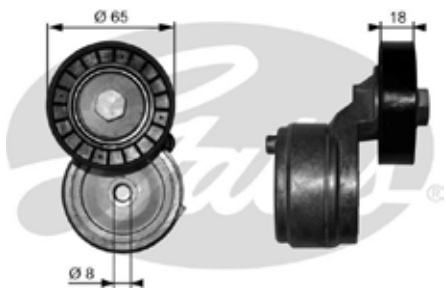
**38647**



Pulley: O.D.: 80mm, Width: 34mm

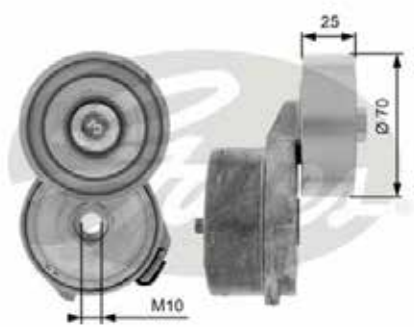
**38650**

NB: Tensioners with identical images differ in their direction of rotation (load to free) and/or torque.



Pulley: O.D.: 65mm, Width: 18mm

**38652**



Pulley: O.D.: 70mm, Width: 25mm

**38656**



Pulley: O.D.: 80mm, Width: 35.5mm

**38659**



Pulley: O.D.: 78mm, Width: 42mm

**38662**



Pulley: O.D.: 77mm, Width: 38mm

**38663**



Pulley: O.D.: 75, 74, 70mm, Width: 40, 40.5, 32mm

**38667**



Pulley: O.D.: 76mm, Width: 46mm

**38668**



Pulley: O.D.: 86.5mm, Width: 40mm

**38671**

NB: Tensioners with identical images differ in their direction of rotation [load to free] and/or torque.



**Pulley: O.D.: 65mm, Width: 19mm**

**38674**



**Pulley: O.D.: 75mm, Width: 37mm**

**38675**



## HEAVY DUTY IDLER PULLEY DIMENSIONAL INFORMATION

HEAVY DUTY IDLER PULLEY DIMENSIONAL INFORMATION

Gates Part Number	Contact Surface	No. Of Grooves	Outside Diameter	Width	Bearing Bore Inside Diameter 1	Bearing Bore Inside Diameter 2	Material	Flanged	Contents
36091	Smooth/Backside	-	74	39.25	17	-	Steel	No	Pulley
36092	Smooth/Backside	-	74	46.25	17	-	Steel	No	Pulley
36093	V-Ribbed-Grooved	8	74	37	17	-	Steel	No	Pulley
36095	Smooth/Backside	-	74	33	17	-	Steel	No	Pulley
36096	Smooth/Backside	-	86.5	39.4	17	-	Steel	No	Pulley
36098	V-Ribbed-Grooved	10	74	39	17	-	Thermoplastic	Yes	Pulley
36135	Smooth/Backside	-	95	32	10	-	Thermoplastic	No	Pulley
36157	V-Ribbed-Grooved	6	87	31	17	-	Steel	Yes	Pulley
36164	Smooth/Backside	-	75	42.55	17	-	Steel	No	Pulley
36165	Smooth/Backside	-	74	57	17	-	Steel	No	Pulley
36167	V-Ribbed-Grooved	6	112	27.5	17	-	Steel	Yes	Pulley
36169	Smooth/Backside	-	60	21.25	12	-	Steel	No	Pulley
36170	V-Ribbed-Grooved	8	101	30	12	-	Thermoplastic	Yes	Pulley
36187	Split	-	90	32	-	-	Steel	No	Pulley, Bolt
36195	Smooth/Backside	-	74	47	-	-	Steel	No	Pulley
36223	V-Ribbed-Grooved	6	83.5	29.5	17	-	Steel	Yes	Pulley, Dust Shield
36225	Smooth/Backside	-	76	31.3	17	-	Steel	No	Pulley, Outside Dust Shield
36226	V-Ribbed-Grooved	6	86.5	29.5	17	-	Steel	No	Pulley, Bolt, 2-Dust-Shields, Spacer, Retainer, Washer
36227	Smooth/Backside	-	76	29	17	-	Steel	No	Pulley
36230	V-Ribbed-Grooved	6	78	30	17	-	Steel	Yes	Pulley
36231	V-Ribbed-Grooved	8	75	36.5	17	-	Steel	Yes	Pulley
36234	Smooth/Backside	-	90	39.5	17	-	Steel	No	Pulley
36259	Smooth/Backside	-	80	48	10	-	Steel	No	Pulley
36269	Smooth/Backside	-	74	42.7	17	-	Steel	No	Pulley, Bolt, Dust-Shield, Spacer
36282	V-Ribbed-Grooved	12	74	54.63	17	-	Steel	Yes	Pulley, Bolt, Dust-Shield, Insert
36283	Smooth/Backside	-	86	39	17	-	Steel	No	Pulley
36285	Smooth/Backside	-	74	38.5	20	-	Steel	No	Pulley
36286	Smooth/Backside	-	70	50	20	-	Steel	No	Pulley
36287	Smooth/Backside	-	110	39.5	17	-	Steel	No	Pulley, Bolt
36288	V-Ribbed-Grooved	8	107	39.5	17	-	Steel	Yes	Pulley, Bolt
36299	Smooth/Backside	-	90	31	17	-	Steel	No	Pulley, Bolt-17mm-Insert, Dust-Shield, Retainer, Spacer
36304	V-Ribbed-Grooved	3	64	16.5	12	-	Steel	Yes	Pulley
36308	V-Ribbed-Grooved	8	82.6	36	30	-	Steel	No	Pulley, Bolt, Dust-Shield, Retainer, Spacer
36324	V-Ribbed-Grooved	8	90	-	17	-	Steel	Yes	Pulley, Bolt, Retainer, Spacer
36329	V-Ribbed-Grooved	6	77	30	17	-	Steel	No	Pulley, Bolt, Dust Shield, Spacer
36341	V-Ribbed-Grooved	8	74	24.5	17	-	Steel	Yes	Pulley, Bolt, Dust Shield, Spacer, Insert, Retainer
36351	V-Ribbed-Grooved	8	74	37	17	-	Steel	No	Pulley
36354	Smooth/Backside	-	90.5	38.5	17	-	Steel	No	Pulley
36355	Smooth/Backside	-	80	33	30	-	Steel	No	Pulley, Bolt, Dust Shield, Spacer
36401	Smooth/Backside	-	70	25	-	-	Steel	No	Pulley, Bolt
36500	Smooth/Backside	-	95	40	10	-	Thermoplastic	Yes	Pulley
38001	Smooth/Backside	-	90	30.5	17	-	Steel	No	Pulley
38006	Smooth/Backside	-	76	30.5	17	-	Steel	No	Pulley
38009	V-Ribbed-Grooved	6	76	25	17	-	Thermoplastic	Yes	Pulley
38015	Smooth/Backside	-	76	25	17	-	Thermoplastic	No	Pulley
38022	Smooth/Backside	-	90	37.5	17	-	Steel	No	Pulley
38023	Smooth/Backside	-	76	34	17	-	Thermoplastic	No	Pulley
38075	Smooth/Backside	-	75	32.5	30	-	Steel	No	Pulley
38076	Smooth/Backside	-	75	40	30	-	Steel	No	Pulley
38089	Smooth/Backside	-	80	25.5	8	-	Steel	No	Pulley
38092	V-Ribbed-Grooved	6	70	26.5	14.5	8	Thermoplastic	N/A	Pulley



## HEAVY DUTY PULLEY INTERCHANGE LISTING

OE TO GATES INTERCHANGE	
OEM Part Number	Gates Part Number
10239930	38008
1154237	36349
12555609	36299
12557819	38001
12580771	36299
12580774	38008
1337023	36091
14102597	36177
1445612	36096
1822652C91	36287
1822653C91	36288
1822653C92	36288
1832710C1	36351
1832712C1	38006
1841930C1	36164
1979641	36091
1979642	36341
1L2E 19A216 AC	38001
1L2Z 6C348 AA	36157
1L2Z 8678 AB	38001
1L3Z 8678 AB	38001
20457029	36286
20747516	36285
2078118	36269
20953521	36286
21100Z501A	36355
2534525	36096
2790251	36227
2850277	36282
3104139	36225
3400883	36308
3400884	36308
3682229	36223
3970945	36283
3C2Z 8678 CB	36329
3C3Z 8678 EB	36324
4026886	36226
4991240	36093
68000833AD	36315
786GB43M	36230
786GB41BM	36167
89022559	36096
97209546	36310
97252188	38006
98072072	36310
F4TZ 8678 A	38015
F5TZ 8678 E	38022
F8TZ 8678 FA	36234

GATES TO OE INTERCHANGE	
Gates Part Number	OEM Part Number
36091	1337023
36091	1979641
36093	4991240
36096	1445612
36096	2534525
36096	89022559
36157	1L2Z 6C348 AA
36164	1841930C1
36167	786GB41BM
36177	14102597
36223	3682229
36225	3104139
36226	4026886
36227	2790251
36230	786GB43M
36234	F8TZ 8678 FA
36269	2078118
36282	2850277
36283	3970945
36285	20747516
36286	20457029
36286	20953521
36287	1822652C91
36288	1822653C91
36288	1822653C92
36299	12555609
36299	12580771
36308	3400883
36308	3400884
36310	97209546
36310	98072072
36315	68000833AD
36324	3C3Z 8678 EB
36329	3C2Z 8678 CB
36341	1979642
36349	1154237
36351	1832710C1
36355	21100Z501A
38001	12557819
38001	1L2E 19A216 AC
38001	1L2Z 8678 AB
38001	1L3Z 8678 AB
38006	97252188
38006	1832712C1
38008	10239930
38008	12580774
38015	F4TZ 8678 A
38022	F5TZ 8678 E

NB: OEM Part Number column is sorted numerically or alphabetically by the starting digit.



I.D. : 17mm, O.D. : 74mm, Width: 39.25mm

**36091**



I.D. : 17mm, O.D. : 74mm, Width: 46.25mm

**36092**



I.D. : 17mm, O.D. : 74mm, Width: 37mm

**36093**



I.D. : 17mm, O.D. : 74mm, Width: 33mm

**36095**



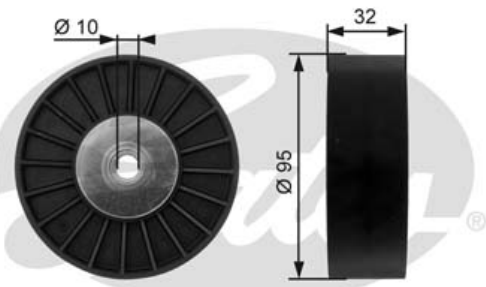
I.D. : 17mm, O.D. : 86.5mm, Width: 39.4mm

**36096**



I.D. : 17mm, O.D. : 74mm, Width: 39mm

**36098**



I.D. : 10mm, O.D. : 95mm, Width: 32mm

**36135**



I.D. : 17mm, O.D. : 87mm, Width: 31mm

**36157**





I.D.: 17mm, O.D.: 75mm, Width: 42.55mm

**36164**



I.D.: 17mm, O.D.: 74mm, Width: 57mm

**36165**



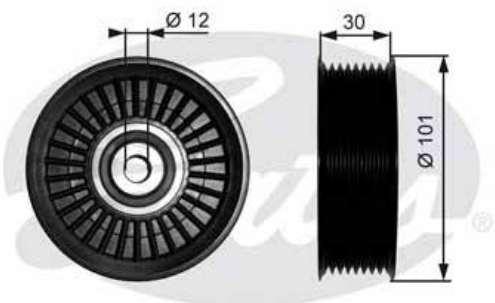
I.D.: 17mm, O.D.: 112mm, Width: 27.5mm

**36167**



I.D.: 12mm, O.D.: 60mm, Width: 21.25mm

**36169**



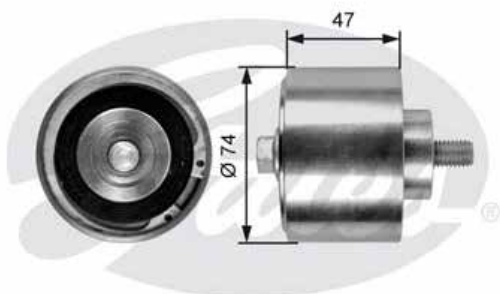
I.D.: 12mm, O.D.: 101mm, Width: 30mm

**36170**



O.D.: 90mm, Width: 32mm

**36187**



O.D.: 74mm, Width: 47mm

**36195**



I.D.: 17mm, O.D.: 83.5mm, Width: 29.5mm

**36223**



I.D. : 17mm, O.D. : 76mm, Width : 31.3mm

**36225**



I.D. : 17mm, O.D. : 86.5mm, Width : 29.5mm

**36226**



I.D. : 17mm, O.D. : 76mm, Width : 29mm

**36227**



I.D. : 17mm, O.D. : 78mm, Width : 30mm

**36230**



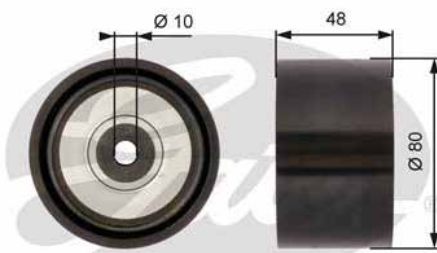
I.D. : 17mm, O.D. : 75mm, Width : 36.5mm

**36231**



I.D. : 17mm, O.D. : 90mm, Width : 39.5mm

**36234**



I.D. : 10mm, O.D. : 80mm, Width : 48mm

**36259**



I.D. : 17mm, O.D. : 74mm, Width : 42.7mm

**36269**



I.D. : 17mm, O.D. : 74mm, Width : 54mm

**36282**



I.D. : 17mm, O.D. : 86mm, Width : 39mm

**36283**



I.D. : 20mm, O.D. : 74mm, Width : 38.5mm

**36285**



I.D. : 20mm, O.D. : 70mm, Width : 50mm

**36286**



I.D. : 17mm, O.D. : 110mm, Width : 39.5mm

**36287**



I.D. : 17mm, O.D. : 107mm, Width : 39.5mm

**36288**



I.D. : 17mm, O.D. : 90mm, Width : 31mm

**36299**



I.D. : 12mm, O.D. : 64mm, Width : 16.5mm

**36304**



I.D. : 30mm, O.D. : 82.6mm, Width : 36mm

**36308**



I.D. : 17mm, O.D. : 90mm

**36324**



I.D. : 17mm, O.D. : 77mm, Width : 30mm

**36329**



I.D. : 17mm, O.D. : 74mm, Width : 24.5mm

**36341**



I.D. : 17mm, O.D. : 74mm, Width : 37mm

**36351**



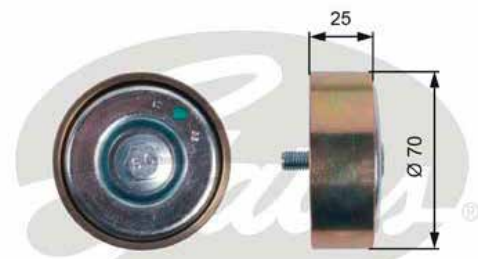
I.D. : 17mm, O.D. : 90.5mm, Width : 38.5mm

**36354**



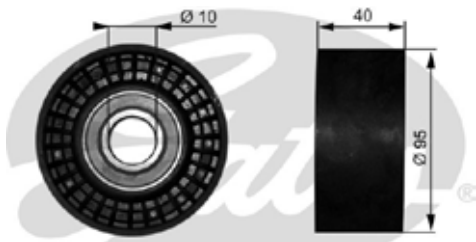
I.D. : 30mm, O.D. : 80mm, Width : 33mm

**36355**



O.D. : 70mm, Width : 25mm

**36401**



I.D. : 10mm, O.D. : 95mm, Width : 40mm

**3650**



I.D. : 17mm, O.D. : 90mm, Width : 30.5mm

**38001**



I.D. : 17mm, O.D. : 76mm, Width : 30.5mm

**38006**



I.D. : 17mm, O.D. : 76mm, Width : 25mm

**38009**



I.D. : 17mm, O.D. : 76mm, Width : 25mm

**38015**



I.D. : 17mm, O.D. : 90mm, Width : 37.5mm

**38022**



I.D. : 17mm, O.D. : 76mm, Width : 34mm

**38023**



I.D. : 30mm, O.D. : 75mm, Width : 32.5mm

**38075**



**NOTES**



## HEAVY DUTY TENSIONERS & IDLER PULLEYS



### How to check a heavy-duty tensioner:

- 1. Spin Tensioner Pulley** - With the engine turned off and belt removed, manually rotate the pulley, note any noise, resistance or looseness. Replace tensioner if this is observed.
- 2. Inspect Belt Tracking** - With the engine running, observe the position of the belt on the pulley. The belt should track in one area of the pulley, not over the edges or wander from side to side.
- 3. Rock Arm/Pulley** - With the engine turned off, check for looseness in the tensioner pulley or arm. Replace the tensioner if this is observed.
- 4. Cycle Tensioner** - With the engine turned off, move the tensioner arm through the entire range of motion. The arm should move smoothly and freely. Replace the tensioner if binding or grinding is observed.
- 5. Observe Motion** - With the engine running, observe the back and forth movement [oscillation] of the tensioner arm. If large or continuous swings occur, replace the tensioner.
- 6. Listen for Squeaks/Squeals** - With the engine running, listen for squeaks or rattles coming from the tensioner using a mechanics stethoscope [use caution around moving drive components].
- 7. Look for Rust** - With the engine turned off, check the tensioner for rust bleed, particularly between the arm and base of the tensioner. If rust is found, replace the tensioner and remove rust from other drive components.

OTHER MARKETING COLLATERAL AVAILABLE FOR THE GATES HEAVY DUTY RANGE

GATES HEAVY DUTY PRODUCTS OVERVIEW GUIDE  
496-2103

GATES U.S. HEAVY DUTY PRODUCTS CATALOGUE  
431-2030

GATES EUROPEAN HEAVY DUTY PRODUCTS CATALOGUE  
E2-70385

PARTS INTERCHANGE [SUITABLE FOR U.S. MAKE AND MODELS]  
[WWW.GATES.COM](http://WWW.GATES.COM)

PARTS INTERCHANGE [SUITABLE FOR EUROPEAN MAKE AND MODELS]  
[WWW.GATESAUTOCAT.COM](http://WWW.GATESAUTOCAT.COM)



**POWERING PROGRESS™**

**496-2119**

February 2015

---

**GATES WARRANTY:**

THE GATES PRODUCTS CONTAINED IN THIS CATALOGUE ARE WARRANTED TO THE ORIGINAL PURCHASER TO BE FREE FROM DEFECT IN MATERIAL AND WORKMANSHIP FOR THE DURATION OF THE GATES WARRANTY PERIOD.

COMPLETE DETAILS ON GATES WARRANTY PERIODS FOR ALL PRODUCTS CAN BE FOUND ON THE GATES WEBSITE.  
[WWW.GATESAUSTRALIA.COM.AU/GATESWARRANTY](http://WWW.GATESAUSTRALIA.COM.AU/GATESWARRANTY)

---

**GATES AUSTRALIA PTY LTD**

1-15 Hydrive Close, Dandenong South, Victoria, 3175

PH: +61 3 9797 9666 FAX: +61 3 9797 9600

**[www.GatesAustralia.com.au](http://www.GatesAustralia.com.au)**



Scan the QR code to access  
the Gates website