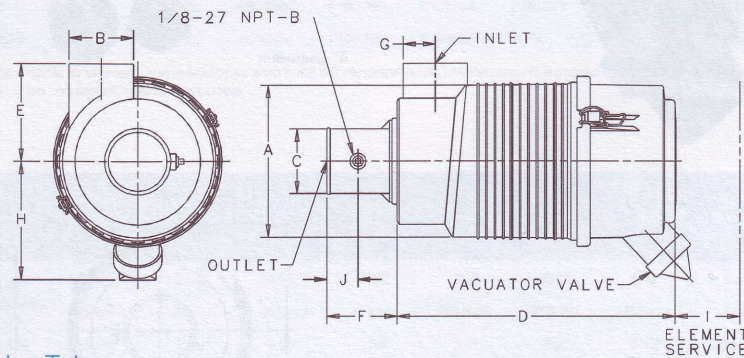


Models with Straight Outlet Tube

Spec Illustration - Models with Straight Outlet Tube



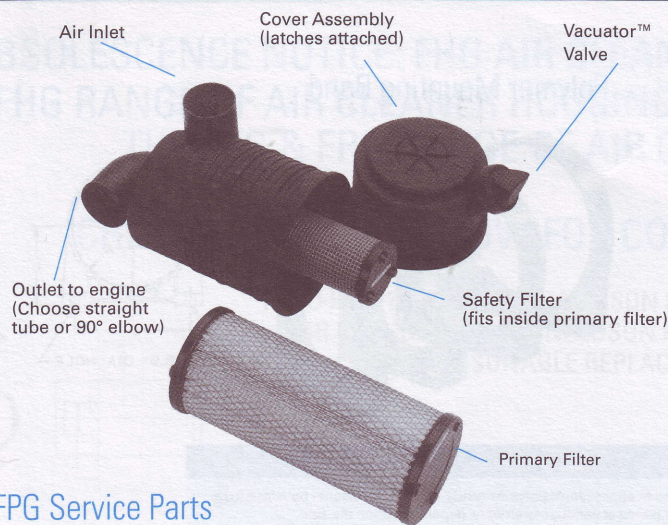
### FPG Specifications - Models with Straight Outlet Tube

Air Cleaner Models	with Safety Filter?	Initial Restriction Airflow CFM @		Body Dia. (A)	Inlet Dia. (B)	Outlet Diameter (C)	Housing Length (D)	Inlet Height (E)	Outlet Length (F)	Inlet Location (G)	Center Line to valve (H)	Service Clear. (I)	Weight	Restr. Tap Loc. (J)
		6"H2O	8"H2O											
G042544	no	55	65	4.8" 122mm	1.75" 44mm	1.75" 44mm	7.45" 189mm	3.27" 83mm	3.24" 82mm	1.48" 38mm	3.96" 101mm	5.39" 137mm	1.3lbs 0.6kg	1.88" 48mm
G057511	yes	65	80	5.75" 146mm	2.0" 51mm	2.0" 51mm	10.87" 276mm	3.82" 97mm	3.25" 83mm	1.65" 42mm	4.66" 118mm	10.68" 271mm	2.5lbs 1.1kg	1.88" 48mm
G057513	no	80	95	5.75" 146mm	2.0" 51mm	2.0" 51mm	10.87" 276mm	3.82" 97mm	3.25" 83mm	1.65" 42mm	4.66" 118mm	7.95" 202mm	2.2lbs 1.0kg	1.88" 48mm
G065424	yes	110	125	6.74" 171mm	2.5" 64mm	2.5" 64mm	12.61" 320mm	4.41" 112mm	3.23" 82mm	1.7" 43mm	5.35" 136mm	12.24" 311mm	3.9lb 1.8kg	1.63" 41mm
G065432	no	120	135	6.74" 171mm	2.5" 64mm	2.5" 64mm	12.61" 320mm	4.41" 112mm	3.23" 82mm	1.7" 43mm	5.35" 136mm	8.5" 216mm	3.5lb 1.6kg	1.63" 41mm
G070017	yes	125	145	7.19" 183mm	3.0" 76mm	3.0" 76mm	13.09" 332mm	4.88" 124mm	3.26" 83mm	1.72" 44mm	5.45" 137mm	12.5" 318mm	4.3lb 1.9kg	1.88" 48mm
G070019	no	160	185	7.19" 183mm	3.0" 76mm	3.0" 76mm	13.09" 332mm	4.88" 124mm	3.27" 83mm	1.72" 44mm	5.45" 137mm	8.87" 225mm	3.8lb 1.7kg	1.88" 48mm
G082525	yes	165	190	8.35" 212mm	3.75" 95mm	3.5" 89mm	14.23" 361mm	5.43" 138mm	3.27" 83mm	2.1" 53mm	6.01" 153mm	13.91" 353mm	5.8lb 2.6kg	1.91" 49mm
G082527	no	205	245	8.35" 212mm	3.75" 95mm	3.5" 89mm	14.23" 361mm	5.43" 138mm	3.27" 83mm	2.1" 53mm	6.01" 153mm	9.57" 243mm	5.2lb 2.3kg	1.91" 49mm
G090225*	yes	256	300	9.53" 242mm	4.49" 114mm	3.99" 102mm	15.76" 400mm	6.78" 172mm	3.43" 87mm	2.42" 62mm	10.44" 260mm	14.56" 370mm	8.7lb 3.95kg	n/a
G100319*	yes	259	297	10.56" 268mm	4.49" 114mm	3.99" 102mm	16.78" 432mm	7.23" 185mm	3.45" 88mm	2.78" 71mm	10.60" 269mm	15.35" 390mm	10.9lb 4.95kg	n/a

\* Models with Twist Off Cover Design (no latches)

Numbers in parenthesis indicate Application Notes. These numbers are not part of the product/part number or ID:

- 1) Safety filters: All FPG models can accept safety filters. This table shows which air cleaner models are shipped with a safety filter installed. If you want to add a safety filter to an existing model that did not originally have one, order the safety filter listed in Service Parts table on the next page.
- 2) Check the details for Mounting Band specifications and ordering information as featured in this catalogue.
- 3) Inlet hoods: A plastic inlet stack up to 18" (457mm) tall may be added, supporting a plastic inlet hood. See the Accessories section for information on optional inlet hoods and filter service indicators. Warning: Do not add a pre-cleaner or any intake accessory other than a lightweight inlet hood. Use of unapproved intake accessories will void your Donaldson Warranty.
- 4) Service Indicators: See the Accessories section for information on filter service indicators.



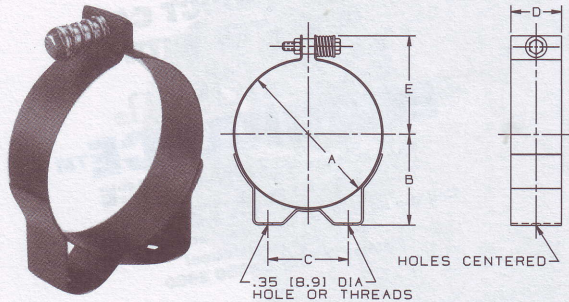
**THIS PRODUCT CAN  
BE FITTED WITH  
Donaldson®  
ENDURANCE™  
HIGH PERFORMANCE  
ELEMENTS**  
Call the Donaldson Customer Service Team  
for further information!  
Phone: +61 (0) 2 4350 2000

FPG Service Parts

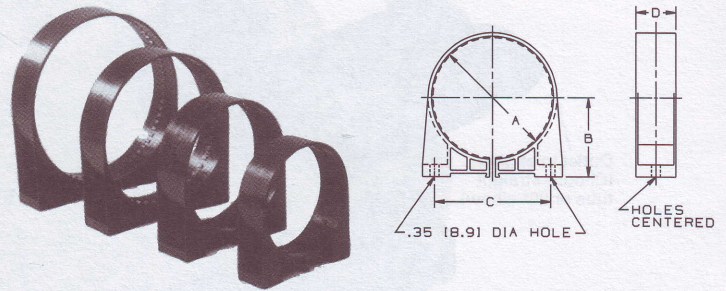
Air Cleaner Models	Straight outlet	90° elbow outlet	filter primary (see Note 1)	filter safety (see Note 2)	Vacuator™ Valve (see Note 3)	cover	latch	Polymer mounting band (see Note 4)	Metal mounting band
G042544	yes	no	P822686	P535396 optional	P522958	P533685	P538928	P777151	H008442
G042545	no	yes	P822686	P535396 optional	P522958	P533685	P538928	P777151	H008442
G057511	yes	no	P821575	P822858 std	P522958	P533761	P538928	P777730	H008443
G057512	no	yes	P821575	P822858 std	P522958	P533761	P538928	P777730	H008443
G057513	yes	no	P821575	P822858 optional	P522958	P533761	P538928	P777730	H008443
G057514	no	yes	P821575	P822858 optional	P522958	P533761	P538928	P777730	H008443
G065411	no	yes	P822768	P822769 std	P158914	P539422	P538928	P778810	H008444
G065424	yes	no	P822768	P822769 std	P158914	P539422	P538928	P778810	H008444
G065432	yes	no	P822768	P822769 optional	P158914	P539422	P538928	P778810	H008444
G065433	no	yes	P822768	P822769 optional	P158914	P539422	P538928	P778810	H008444
G070017	yes	no	P827653	P829332 std	P158914	P536202	P538928	P777731	H002070
G070018	no	yes	P827653	P829332 std	P158914	P536202	P538928	P777731	H002070
G070019	yes	no	P827653	P829332 optional	P158914	P536202	P538928	P777731	H002070
G070020	no	yes	P827653	P829332 optional	P158914	P536202	P538928	P777731	H002070
G082525	yes	no	P828889	P829333 std	P158914	P534048	P538928	P777732	
G082526	no	yes	P828889	P829333 std	P158914	P534048	P538928	P777732	
G082527	yes	no	P828889	P829333 optional	P158914	P534048	P538928	P777732	
G082528	no	yes	P828889	P829333 optional	P158914	P534048	P538928	P777732	
G090219*	no	yes	P780522	P780523 std	P776008	P780524	not applicable	P780532	
G090225*	yes	no	P780522	P780523 std	P776008	P780524	not applicable	P780532	
G100317*	no	yes	P781039	P777639 std	P776008	P780578	not applicable	P780594	
G100319*	yes	no	P781039	P777639 std	P776008	P780578	not applicable	P780594	

\* Models with Twist Off Cover Design (no latches)  
Numbers in parenthesis indicate Application Notes. These numbers are not part of the product/part number or ID:  
1) Shipped with air cleaner initially  
2) Where 'std' is listed, indicates filter was shipped with cleaner initially. Where 'optional' is listed, indicates that a Safety Filter is designed to fit this air cleaner but is not originally shipped with it (NB, adding a safety filter will decrease the maximum airflow throughput)  
3) Replacement Cover assembly includes latches but no Vacuator™ Valve

### Metal Mounting Band



### Polymer Mounting Band



Mounting Bands designed exclusively for the FPG available in polymer and metal

\*Order 1 band per FPG Aircleaner

Donaldson offers two styles of mounting bands specially designed for FPG Air Cleaners:

- (1) metal with a bolt
- (2) high tech polymer.

The one-piece, high tech polymer mounting band will securely hold the housing in position.

The band has tabs on the inside circumference which fit exactly into notches on the FPG housing.

The band tightens around the air cleaner when the base of the band is bolted to a support, providing a fixed, stable mounting – even in high vibration applications.

Donaldson polymer bands are completely non-corrosive, lightweight, easy to install and economical.

The metal mounting band has a spring-loaded bolt at the top to maintain a constant hold on the housing throughout high and low temperature extremes.

**WARNING:** Do not use any other mounting bands or straps with FPG Air Cleaners. Use of an unapproved mounting band voids warranty.

#### Application Note

To accommodate even hard-to-fit applications, polymer bands allow the air cleaner housings to be rotated and positioned at various increments, depending upon the size:

Housing Diameter	Degree of Increment
4.8" (122mm)	11°
5.75" (146mm)	10°
6.74" (171mm)	7.5°
7.19" (183mm)	7°
8.35" (212mm)	5°

Part Number	A	B	C	D	E	Weight	Max. Bolt Torque
<b>Polymer Bands</b>							
P777151	4.80"	3.09"	4.56"	1.57"	n/a	0.26lb	11lbs-ft
	122mm	79mm	116mm	40mm	n/a	118gms	14.8Nm
P777730	5.75"	3.52"	5.35"	1.99"	n/a	0.37lb	11lbs-ft
	146mm	90mm	136mm	51mm	n/a	167gms	14.8Nm
P778810	6.79"	3.94"	6.00"	1.99"	n/a	0.40lb	11lbs-ft
	173mm	100mm	154mm	51mm	n/a	182gms	14.8Nm
P777731	7.17"	4.11"	6.50"	1.99"	n/a	0.45lb	11lbs-ft
	182mm	105mm	165mm	51mm	n/a	206gms	14.8Nm
P777732	8.35"	4.70"	7.48"	1.99"	n/a	0.56lb	11lbs-ft
	212mm	120mm	190mm	51mm	n/a	253gms	14.8Nm
<b>Metal Bands</b>							
H008442	4.80"	3.07"	2.76"	1.57"	3.34"	0.70lb	12lbs-ft
	122mm	78mm	70mm	40mm	85mm	317gms	16.2Nm
H008443	5.75"	3.54"	3.15"	1.99"	3.83"	1.30lb	12lbs-ft
	146mm	90mm	80mm	51mm	85mm	590gms	16.2Nm
H008441 (1)	6.79"	3.94"	3.54"	1.99"	4.35"	1.40lb	12lbs-ft
	173mm	100mm	90mm	51mm	111mm	635gms	16.2Nm
H008444	6.79"	3.94"	3.54"	1.99"	4.35"	1.40lb	12lbs-ft
	173mm	100mm	90mm	51mm	111mm	635gms	16.2Nm
H002070	7.19"	4.09"	3.74"	1.99"	4.55"	1.50lb	12lbs-ft
	183mm	104mm	95mm	51mm	116mm	680gms	16.2Nm
H002023	8.13"	4.72"	4.33"	1.99"	5.14"	1.60lb	12lbs-ft
	207mm	120mm	110mm	51mm	97mm	726gms	16.2Nm
P780580 (2)	8"	4.75"	4.33"	1.99"			
	211.5mm	119.5mm	110.0mm	50.5mm			
P780378 (3)	8"	4.75"	4.33"	3.83"			
	212.0mm	119.5mm	110.0mm	85.0mm			
P780532	9"	4.95"	5.70"	1.99"			
	241.0mm	136.0mm	143.0mm	50.5mm			
P780594	10"	5.80"	5.70"	3.80"			
	268.0mm	149.5mm	143.0mm	80.0mm			

Numbers in parenthesis indicate Application Notes. These numbers do not form part of the product/part number or ID.

1) Model H008441 has 8mm threads

2) With insert MB