

CV Series - CV4501

AIR

Specifications:

Height: 8.44" (21.44 cm)

Width: 7.16" (18.19 cm)

Depth: 5.61" (14.25 cm)

Weight: 3.3 lbs (1.5 kg)

Ports: 1 3/16-12 UN-2B
SAE O-ring Thread

Service Clearance (Bottom):
2.25" (5.7 cm)

Max Airflow: 10 CFM (283 LM)

Max Engine Rating: 200 HP (149 KW)

Note: Open system CV assemblies do not include a visual restriction indicator.

Hose Fittings sold separately -
See parts section

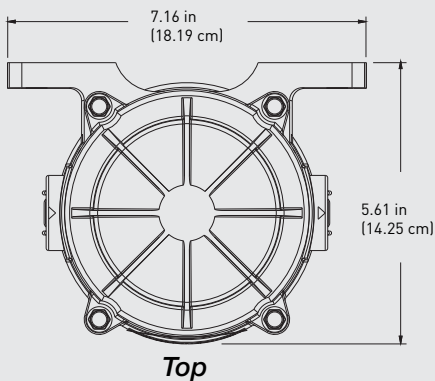
Create a Part Number

Housing Type	Open Crankcase Ventilation Filter	Filtration Rating	CV Model Up to 10 CFM - 200hp	Bypass Type *	Non-Bypass Assembly	Filtration Type	Low Density Media High Density Media	Flow Direction	Left Side - Inlet Right Side - Inlet
CV		45		01		-04 -08	L R		

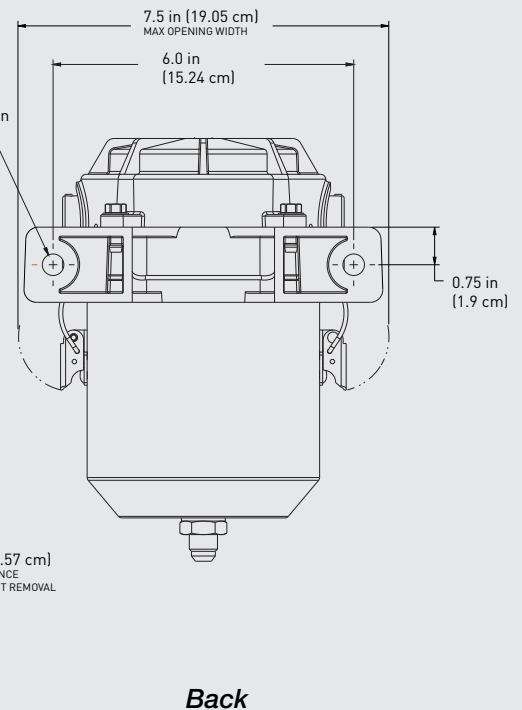
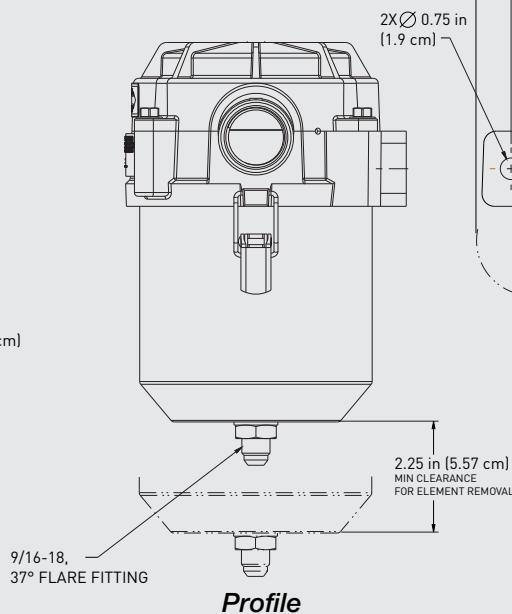
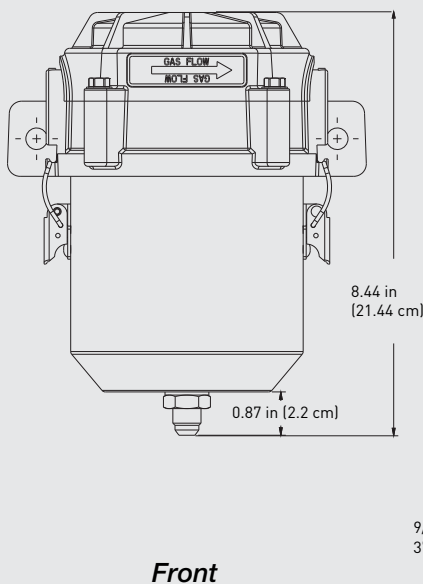
* If plugged: Non-Bypass assemblies will experience increased pressure on oil pan and non-pressurized engine ports.

RACOR®

Dimensions:



ASSEMBLY	DESCRIPTION
CV4501-04L	Closed System; Up to 10 CFM; Non-Bypass; Low Density Media; Left Inlet
CV4501-04R	Closed System; Up to 10 CFM; Non-Bypass; Low Density Media; Right Inlet
CV4501-08L	Closed System; Up to 10 CFM; Non-Bypass; High Density Media; Left Inlet
CV4501-08R	Closed System; Up to 10 CFM; Non-Bypass; High Density Media; Right Inlet

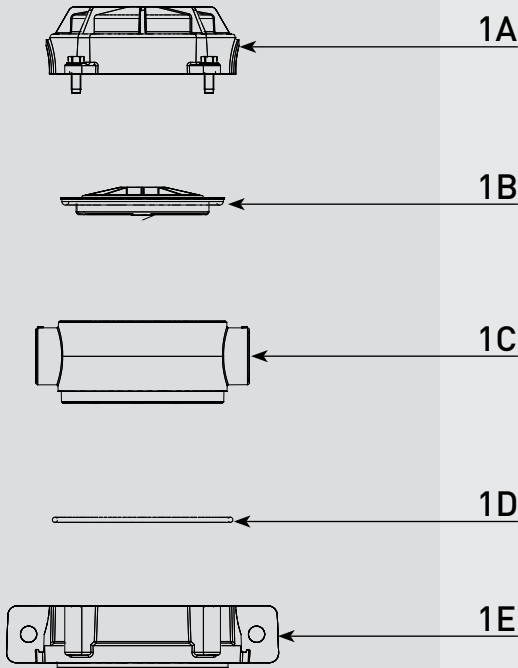


WARNING: The products described in this literature can expose you to chemicals including Diisononyl phthalate, Carbon black extract, which are known to the State of California to cause cancer. For more information go to www.P65Warnings.ca.gov.

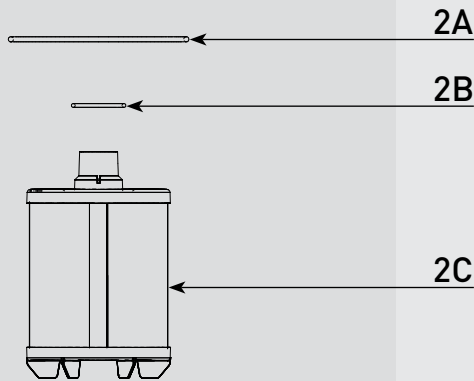
PARTS

CV Series - CV4501

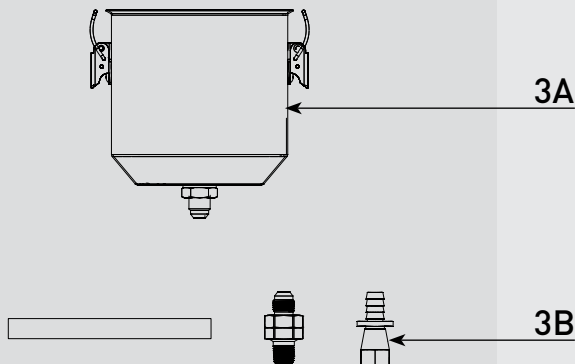
1



2



3



Part #	Description
1A	CV4501 Head Assembly
1B	CV4501 Diaphragm
1C	CV4501 Valve
1D	Housing Gasket
1E	Head Assembly Bracket

2A	CCV Housing Gasket	
2B	CCV Filter O-ring	
2C	CCV55248-04	CV4501 Replacement Element - Low Density - Includes 2A & 2B
	CCV55248-08	CV4501 Replacement Element - High Density - Includes 2A & 2B

3A	CCV55249	CV4501 Housing Assembly - Includes 2A
3B	CCV55022	Drain Kit - 3/8" I.D. x 3' Hose, Check Valve, (2) Swivel Fitting

Available Fittings, Hose, Fittings + Hose Kits (Not Shown)

NOTE: Initial Install Requires Fittings & Hose; See Brochure 7790 for requirements

4A	CCV55250	Inlet/Outlet Fitting - 1" OD Hose Barb to 1 3/16" SAE
	CCV55251	Inlet/Outlet Fitting - 3/4" OD Hose Barb to 1 3/16" SAE
	CCV55280	Inlet/Outlet Fitting - 1 1/4" OD Hose Barb to 1 3/16" SAE
4B	CV1034-01-C	Inlet/Outlet Hose - 3/4" ID Hose (Per Ft.)
	CV1100-01-C	Inlet/Outlet Hose - 1" ID Hose (Per Ft.)
	CV1114-01-C	Inlet/Outlet Hose - 1 1/4" ID Hose (Per Ft.)
4C	CCV55024	Hose/Fitting Kit - (1) 3/4" fitting, (1) 1" Fitting, (1) 3/4" ID x 4' hose, (1) 1" ID x 4' hose, (4) Clamps & Ties
	CCV55025	Hose/Fitting Kit - (2) 1" Fittings, (1) 1" ID x 8' hose, (4) Clamps & Ties
	CCV55037	Hose/Fitting Kit - (1) 1 1/4" fitting, (1) 1" Fitting, (1) 1 1/4" ID x 4' hose, (1) 1" ID x 4' hose, (4) Clamps & Ties
	CCV55038	Hose/Fitting Kit (For Multi-unit Install) - (1) 3/4" fitting, (1) 1" Fitting, (1) 3/4" ID x 6' hose, (1) 3/4" Tee fitting, (1) 1" ID x 4' hose, (8) Clamps & Ties

Accessories and Parts Available (Not Shown)

5A	CCV55390	Heavy-Duty Wear Spacer - <i>Protects element from excessive vibrations</i>
5B	CCV55547-02	90° Hose Adapter Fitting
5C	CCV55461	CCV Heater Kit - 120v AC (100w)
	CCV55461-12	CCV Heater Kit - 12v DC (100w)
	CCV55461-24	CCV Heater Kit - 24v DC (100w)
5D	CCV55615-01	Electronic Remote Filter Gauge Kit



Online Link
CV Product Selector

RSL0383_CUT_CV4501 (05/18 Rev -)