

CCV Series - CCV6000/CCV6001

AIR

Specifications:

Height: 12.03" (30.56 cm)

Width: 8.59" (21.82 cm)

Depth: 7.3" (18.54 cm)

Weight: 5.0 lbs (2.3 kg)

Ports: 1 5/8-12 UN-2B
SAE O-ring Thread

Service Clearance (Bottom):
4.0" (10.2 cm)

Max Airflow: 20 CFM (566 LM)

Max Engine Rating: 800 HP (597 KW)

Note: Closed system CCV assemblies include a visual bypass indicator.

Hose Fittings sold separately -
See parts section

Create a Part Number

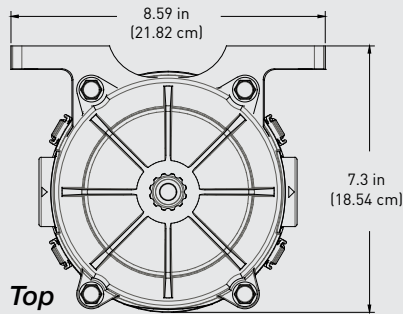
Housing Type	Filtration Rating	Bypass Type *	Filtration Type **	Flow Direction
Closed Crankcase Ventilation Filter	CCV Model Up to 20 CFM - 800HP	Bypass Assembly Non-Bypass Assembly	High Density Media Ultra Density Media	Left Side - Inlet Right Side - Inlet
CCV	60	00 01	-08 -10	L R

* If plugged: Bypass assemblies allow aerosols to bypass the filter and reach the turbo.

If plugged: Non-Bypass assemblies will experience increased pressure on oil pan and non-pressurized engine ports.

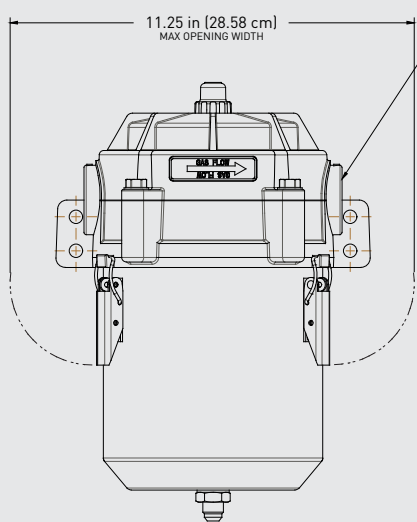
** Ultra Density filters offer higher cleanliness efficiency; recommended for older engines.

Dimensions:

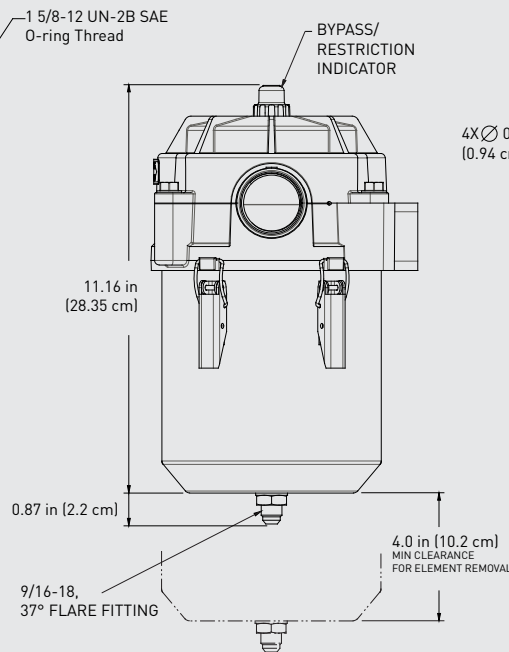


Top

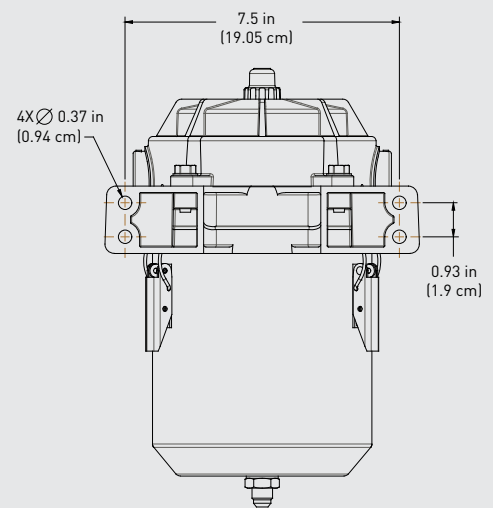
ASSEMBLY	DESCRIPTION
CCV6000-08L	Closed System; Up to 20 CFM/800 HP; Bypass; High Density Media; Left Inlet
CCV6000-08R	Closed System; Up to 20 CFM/800 HP; Bypass; High Density Media; Right Inlet
CCV6000-10L	Closed System; Up to 20 CFM/800 HP; Bypass; Ultra Density Media; Left Inlet
CCV6000-10R	Closed System; Up to 20 CFM/800 HP; Bypass; Ultra Density Media; Right Inlet
CCV6001-08L	Closed System; Up to 20 CFM/800 HP; Non-Bypass; High Density Media; Left Inlet
CCV6001-10L	Closed System; Up to 20 CFM/800 HP; Non-Bypass; Ultra Density Media; Left Inlet
CCV6001-10R	Closed System; Up to 20 CFM/800 HP; Non-Bypass; Ultra Density Media; Right Inlet



Front



Profile



Back



WARNING: The products described in this literature can expose you to chemicals including Diisononyl phthalate, Carbon black extract, which are known to the State of California to cause cancer. For more information go to www.P65Warnings.ca.gov.

RACOR®

PARTS

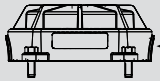
CCV Series - CCV6000/CCV6001

1



1A

2



2A



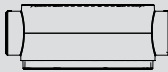
2B



2C



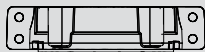
2D



2E



2F



2G

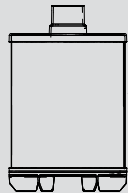
3



3A

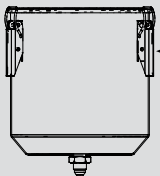


3B

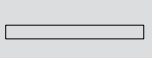


3C

4



4A



4B

Part #	Description
1A CCV55081	CCV6000/CCV6001 Bypass/Filter Change Indicator Kit
2A CCV55272L	CCV6000 Head Assembly (Bypass Assy.) - (L) Left Inlet - Includes 1A, 2B, 2C, 2D, 2E, 2F, & 2G <i>Note: Contact Racor Regarding CCV6001 Head Assembly (Non-Bypass Assy.)</i>
2B	Diaphragm Spring - top
2C CCV55273	CCV6000/CCV6001 Diaphragm Kit - Includes 2B, 2D, 2F, and 3B
2D	Diaphragm Spring - Bottom
2E	CCV Valve (Bypass Assy.)
2F	Housing Gasket
2G	Head Assembly Bracket
3A	CCV Housing Gasket
3B	CCV Filter O-ring
3C CCV55274-08	CCV6000/CCV6001 Replacement Element - High Density - Includes 3A & 3B
CCV55274-10	CCV6000/CCV6001 Replacement Element - Ultra Density - Includes 3A & 3B
4A CCV55275	CCV6000/CCV6001 Housing Assembly - Includes 3A
4B CCV55022	Drain Kit - 3/8" I.D. x 3' Hose, Check Valve, (2) Swivel Fitting

Available Fittings, Hose, Fittings + Hose Kits (Not Shown)

NOTE: Initial Install Requires Fittings & Hose; See Brochure 7790 for requirements

5A CCV55089	Inlet/Outlet Fitting - 3/4" OD Hose Barb to 1 5/8" SAE
CCV55268	Inlet/Outlet Fitting - 1 1/4" OD Hose Barb to 1 5/8" SAE
CCV55121	Inlet/Outlet Fitting 90° - 1 1/4" OD Hose Barb to 1 5/8" SAE
CCV55267	Inlet/Outlet Fitting - 1 1/2" OD Hose Barb to 1 5/8" SAE
5B CV1034-01-C	Inlet/Outlet Hose - 3/4" ID Hose (Per Ft.)
CV1114-01-C	Inlet/Outlet Hose - 1 1/4" ID Hose (Per Ft.)
CV1112-01-C	Inlet/Outlet Hose - 1 1/2" ID Hose (Per Ft.)
5C CCV55046	Hose/Fitting Kit - (2) 1-1/4" fittings, (1) 1-1/4" ID x 8 foot hose, (4) clamps, (4) ties
CCV55047	Hose/Fitting Kit - (2) 1-1/4" fittings, (1) 1-1/4" Tee fitting, (1) 1-1/4" ID x 10 foot hose, (8) clamps, (8) ties
CCV55048	Hose/Fitting Kit - (2) 1-1/4" fittings, (1) 1-1/2" ID x 4 foot hose, (1) bushing reducer, (1) 1-1/4" ID x 4 foot hose, (4) clamps, (4) ties
CCV55049	Hose/Fitting Kit - (2) 1-1/4" fittings, (1) 1-1/2" ID x 5 foot hose w/2" cuff, (1) bushing reducer, (1) 1-1/4" ID x 4 foot hose, (4) clamps, (4) ties

Accessories and Parts Available (Not Shown)

6A CCV55385	Heavy-Duty Wear Spacer - <i>Protects element from excessive vibrations</i>
6B CCV55462	CCV Heater Kit - 120v AC (150w)
CCV55462-12	CCV Heater Kit - 12v DC (150w)
CCV55462-24	CCV Heater Kit - 24v DC (150w)
6C CCV55615-01	Electronic Remote Filter Gauge Kit



Online Link
CCV Product Selector

RSL0344_CUT_CCV6000/CCV6001 (05/18 Rev A)