

# CCV Series - CCV4500/CCV4501

# AIR

## Specifications:

**Height:** 9.28" (23.57 cm)  
**Width:** 7.16" (18.19 cm)  
**Depth:** 5.61" (14.25 cm)  
**Weight:** 3.3 lbs (1.5 kg)  
**Ports:** 1 3/16-12 UN-2B  
SAE O-ring Thread  
**Service Clearance (Bottom):**  
2.25" (5.7 cm)  
**Max Airflow:** 10 CFM (283 LM)  
**Max Engine Rating:** 400 HP (298 KW)

**Note:** Closed system CCV assemblies include a visual bypass indicator.

**Hose Fittings sold separately - See parts section**

## Create a Part Number

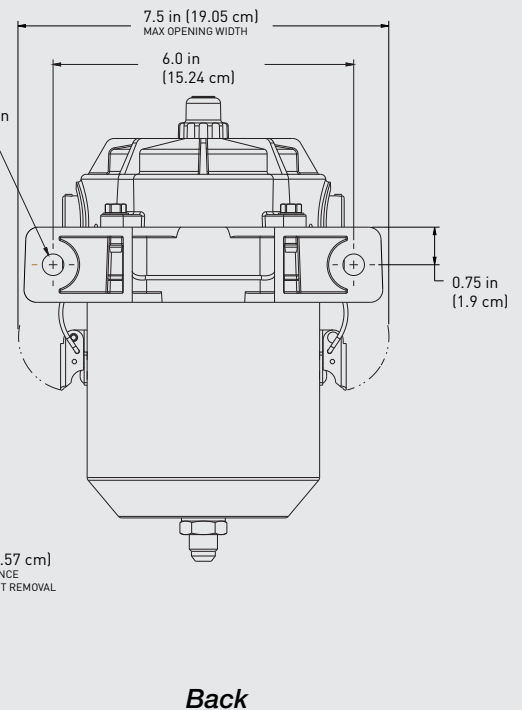
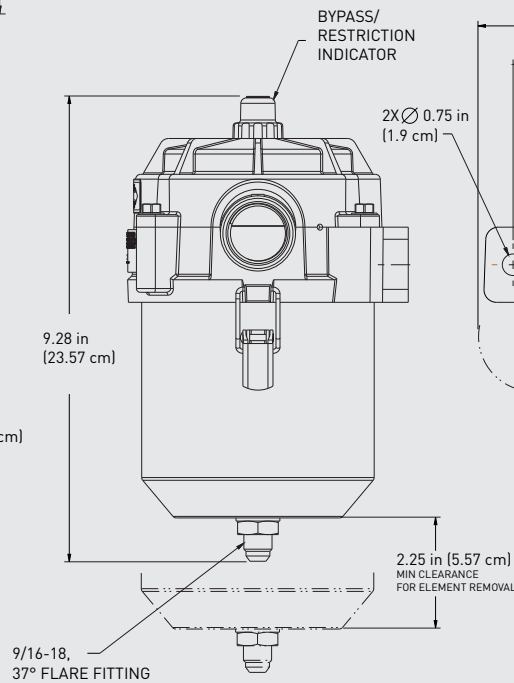
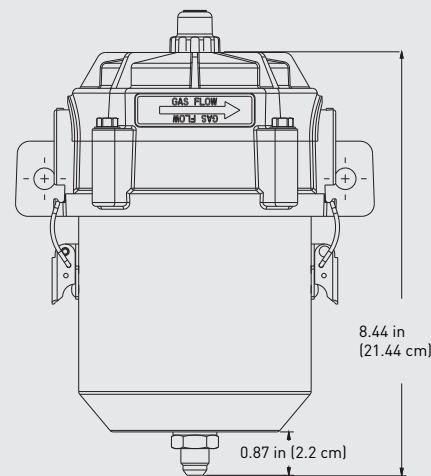
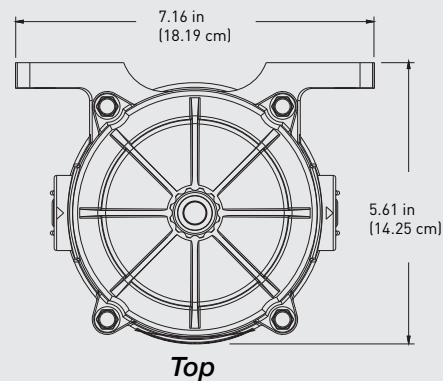
Housing Type	Closed Crankcase Ventilation Filter	Filtration Rating	CCV Model Up to 10 CFM - 400HP	Bypass Type *	Bypass Assembly	Non-Bypass Assembly	Filtration Type **	High Density Media	Ultra Density Media	Flow Direction	Left Side - Inlet	Right Side - Inlet
	CCV		45		00	01		-08	-10		L	R

\* If plugged: Bypass assemblies allow aerosols to bypass the filter and reach the turbo.

If plugged: Non-Bypass assemblies will experience increased pressure on oil pan and non-pressurized engine ports.

\*\* Ultra Density filters offer higher cleanliness efficiency; recommended for older engines.

## Dimensions:



ASSEMBLY	DESCRIPTION
CCV4500-08L	Closed System; Up to 10 CFM/400 HP; Bypass; High Density Media; Left Inlet
CCV4500-08R	Closed System; Up to 10 CFM/400 HP; Bypass; High Density Media; Right Inlet
CCV4500-10L	Closed System; Up to 10 CFM/400 HP; Bypass; Ultra Density Media; Left Inlet
CCV4500-10R	Closed System; Up to 10 CFM/400 HP; Bypass; Ultra Density Media; Right Inlet
CCV4501-08L	Closed System; Up to 10 CFM/400 HP; Non-Bypass; High Density Media; Left Inlet
CCV4501-08R	Closed System; Up to 10 CFM/400 HP; Non-Bypass; High Density Media; Right Inlet
CCV4501-10L	Closed System; Up to 10 CFM/400 HP; Non-Bypass; Ultra Density Media; Left Inlet
CCV4501-10R	Closed System; Up to 10 CFM/400 HP; Non-Bypass; Ultra Density Media; Right Inlet



**WARNING:** The products described in this literature can expose you to chemicals including Diisononyl phthalate, Carbon black extract, which are known to the State of California to cause cancer. For more information go to [www.P65Warnings.ca.gov](http://www.P65Warnings.ca.gov).



# PARTS

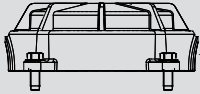
# CCV Series - CCV4500/CCV4501

1



1A

2



2A



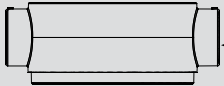
2B



2C



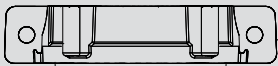
2D



2E



2F



2G

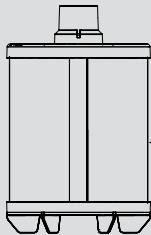
3



3A

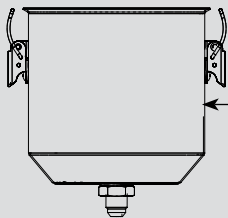


3B

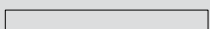


3C

4



4A



4B

Part #	Description
<b>1A</b> CCV55081	CCV4500/CCV4501 Bypass/Filter Change Indicator Kit
<b>2A</b> CCV55246L CCV55246R	CCV4500 Head Assembly (Bypass Assy.) - (L) Left Inlet or (R) Right Inlet - <b>Includes 1A, 2B, 2C, 2D, 2E, 2F, &amp; 2G</b> <b>Note: Contact Racor Regarding CCV4501 Head Assembly (Non-Bypass Assy.)</b>
<b>2B</b>	Diaphragm Spring - top
<b>2C</b> CCV55247	CCV4500/CCV4501 Diaphragm Kit - <b>Includes 2B, 2D, 2F, and 3B</b>
<b>2D</b>	Diaphragm Spring - Bottom
<b>2E</b>	CCV Valve (Bypass Assy.)
<b>2F</b>	Housing Gasket
<b>2G</b>	Head Assembly Bracket
<b>3A</b>	CCV Housing Gasket
<b>3B</b>	CCV Filter O-ring
<b>3C</b> CCV55248-08 CCV55248-10	CCV4500/CCV4501 Replacement Element - High Density - <b>Includes 3A &amp; 3B</b> CCV4500/CCV4501 Replacement Element - Ultra Density - <b>Includes 3A &amp; 3B</b>
<b>4A</b> CCV55249	CCV4500/CCV4501 Housing Assembly - <b>Includes 3A</b>
<b>4B</b> CCV55022	Drain Kit - 3/8" I.D. x 3' Hose, Check Valve, (2) Swivel Fitting

**Available Fittings, Hose, Fittings + Hose Kits (Not Shown)**

**NOTE: Initial Install Requires Fittings & Hose; See Brochure 7790 for requirements**

<b>5A</b> CCV55250 CCV55251 CCV55280	Inlet/Outlet Fitting - 1" OD Hose Barb to 1 3/16" SAE Inlet/Outlet Fitting - 3/4" OD Hose Barb to 1 3/16" SAE Inlet/Outlet Fitting - 1 1/4" OD Hose Barb to 1 3/16" SAE
<b>5B</b> CV1034-01-C CV1100-01-C CV1114-01-C	Inlet/Outlet Hose - 3/4" ID Hose (Per Ft.) Inlet/Outlet Hose - 1" ID Hose (Per Ft.) Inlet/Outlet Hose - 1 1/4" ID Hose (Per Ft.)
<b>5C</b> CCV55024 CCV55025 CCV55037 CCV55038	Hose/Fitting Kit - (1) 3/4" fitting, (1) 1" Fitting, (1) 3/4" ID x 4' hose, (1) 1" ID x 4' hose, (4) Clamps & Ties Hose/Fitting Kit - (2) 1" Fittings, (1) 1" ID x 8' hose, (4) Clamps & Ties Hose/Fitting Kit - (1) 1 1/4" fitting, (1) 1" Fitting, (1) 1 1/4" ID x 4' hose, (1) 1" ID x 4' hose, (4) Clamps & Ties Hose/Fitting Kit (For Multi-unit Install) - (1) 3/4" fitting, (1) 1" Fitting, (1) 3/4" ID x 6' hose, (1) 3/4" Tee fitting, (1) 1" ID x 4' hose, (8) Clamps & Ties

**Accessories and Parts Available (Not Shown)**

<b>6A</b> CCV55390	Heavy-Duty Wear Spacer - <i>Protects element from excessive vibrations</i>
<b>6B</b> CCV55547-02	90° Hose Adapter Fitting
<b>6C</b> CCV55461 CCV55461-12 CCV55461-24	CCV Heater Kit - 120v AC (100w) CCV Heater Kit - 12v DC (100w) CCV Heater Kit - 24v DC (100w)
<b>6D</b> CCV55615-01	Electronic Remote Filter Gauge Kit



Online Link  
CCV Product Selector

RSL0327\_CUT\_CCV4500/CCV4501 (05/17 Rev -)