

Gasoline Spin-On - B32 Series

FUEL

Specifications:

Height: B32013: 7.1" (18.03 cm)
 B32014: 7.1" (18.03 cm)
 B32020MAM: 6.5" (16.5 cm)
 B32021MAM: 6.5" (16.5 cm)

Diameter: 3.75" (9.5 cm)

Weight (Dry): B32013: 1.25 lbs (0.56 kg)
 B32014: 1.25 lbs (0.56 kg)
 B32020MAM: 1.56 lbs (0.70 kg)
 B32021MAM: 1.56 lbs (0.70 kg)

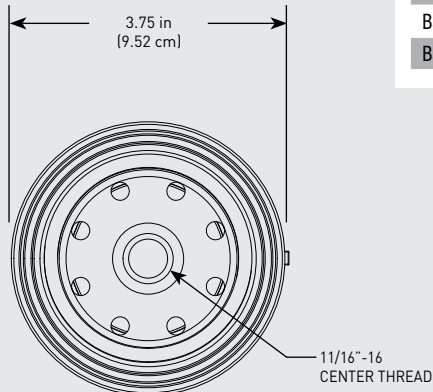
Center Thread: B32013/B32020MAM: 1 1/16"-16
 B32014/B32021MAM: 1"-12

Create a Part Number

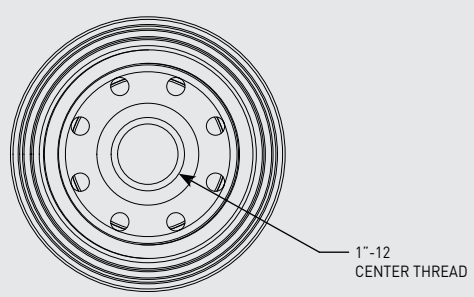
Assembly Type	Center Thread	Certification Type
Marine Gasoline Fuel Filter/Bowl Assembly	1 1/16"-16 1"-12	UL Listed Approved - Inboard Use
B320	13 14	
Metal Bowl (Inboard/Outboard)	20 21	MAM

RACOR®

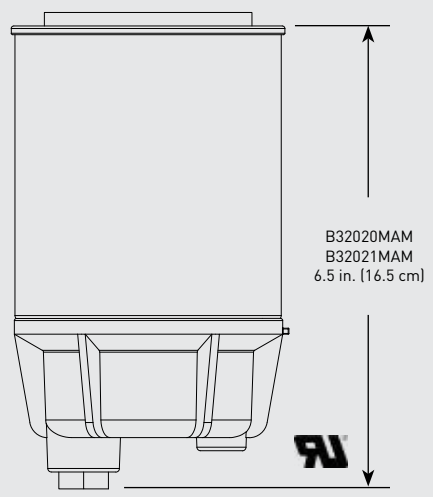
Dimensions:



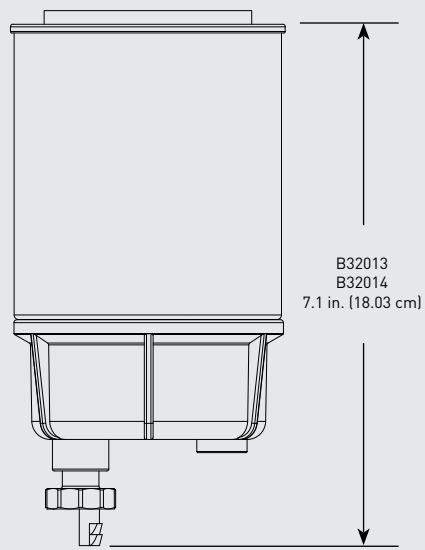
B32013/B32020MAM Top



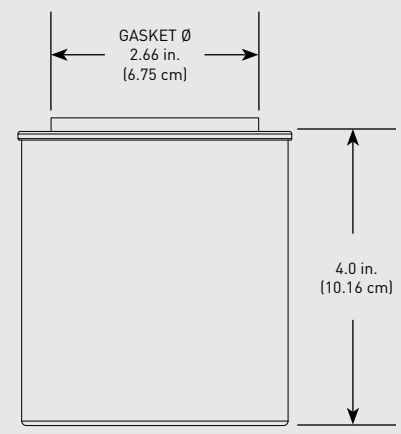
B32014/B32021MAM Top



B32020MAM/B32021MAM



B32013/B32014



Element Only

ASSEMBLIES	DESCRIPTION
B32013	1 1/16"-16 Center Thread, Marine Gasoline FF/WS, 60 gph Flow Rate, 10 Micron Filtration, Clear Bowl
B32014	1"-12 Center Thread, Marine Gasoline FF/WS, 60 gph Flow Rate, 10 Micron Filtration, Clear Bowl
B32020MAM	1 1/16"-16 Center Thread, Marine Gasoline FF/WS, 60 gph Flow Rate, 10 Micron Filtration, Metal Bowl, UL Listed
B32021MAM	1"-12 Center Thread, Marine Gasoline FF/WS, 60 gph Flow Rate, 10 Micron Filtration, Metal Bowl, UL Listed

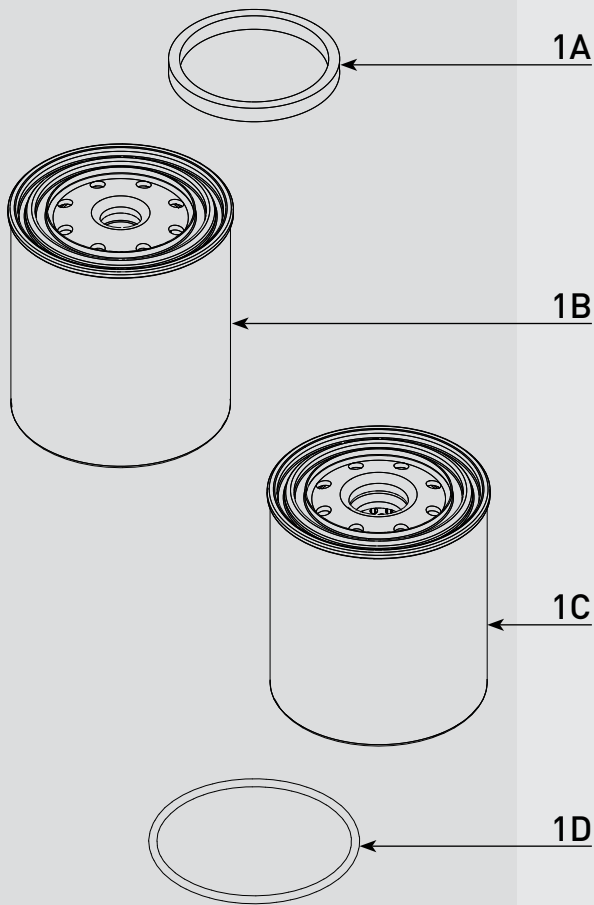


WARNING: The products described in this literature can expose you to chemicals including Diisononyl phthalate, Carbon black extract, which are known to the State of California to cause cancer. For more information go to www.P65Warnings.ca.gov.

PARTS

Gasoline Spin-On - B32 Series

1



Part #	Description						
1A	Square Cut Gasket - <i>Included in 1B, & 1C</i>						
1B	<table border="0"> <tr> <td>S3213</td> <td>Replacement Filter - 11/16"-16 Center Thread, 10 micron - <i>Includes 1A and 1D</i></td> </tr> <tr> <td>S3220SUL</td> <td>Replacement Filter (UL Listed) - 11/16"-16 Center Thread, 2 micron - <i>Includes 1A and 1D</i></td> </tr> <tr> <td>S3220TUL</td> <td>Replacement Filter (UL Listed) - 11/16"-16 Center Thread, 10 micron - <i>Includes 1A and 1D</i></td> </tr> </table>	S3213	Replacement Filter - 11/16"-16 Center Thread, 10 micron - <i>Includes 1A and 1D</i>	S3220SUL	Replacement Filter (UL Listed) - 11/16"-16 Center Thread, 2 micron - <i>Includes 1A and 1D</i>	S3220TUL	Replacement Filter (UL Listed) - 11/16"-16 Center Thread, 10 micron - <i>Includes 1A and 1D</i>
S3213	Replacement Filter - 11/16"-16 Center Thread, 10 micron - <i>Includes 1A and 1D</i>						
S3220SUL	Replacement Filter (UL Listed) - 11/16"-16 Center Thread, 2 micron - <i>Includes 1A and 1D</i>						
S3220TUL	Replacement Filter (UL Listed) - 11/16"-16 Center Thread, 10 micron - <i>Includes 1A and 1D</i>						
1C	<table border="0"> <tr> <td>S3214</td> <td>Replacement Filter - 1"-12 Center Thread, 10 micron - <i>Includes 1A and 1D</i></td> </tr> <tr> <td>S3221TUL</td> <td>Replacement Filter (UL Listed) - 1"-12 Center Thread, 10 micron - <i>Includes 1A and 1D</i></td> </tr> </table>	S3214	Replacement Filter - 1"-12 Center Thread, 10 micron - <i>Includes 1A and 1D</i>	S3221TUL	Replacement Filter (UL Listed) - 1"-12 Center Thread, 10 micron - <i>Includes 1A and 1D</i>		
S3214	Replacement Filter - 1"-12 Center Thread, 10 micron - <i>Includes 1A and 1D</i>						
S3221TUL	Replacement Filter (UL Listed) - 1"-12 Center Thread, 10 micron - <i>Includes 1A and 1D</i>						
1D	Bowl O-ring - <i>Included in 1B, 1C, 2A, and 2B</i>						
2A	RK 30475 Replacement Bowl Kit - <i>Includes 1D</i>						
2B	RK 30473-02 Replacement Metal Bowl Kit - <i>Includes 1D and 2C</i>						
2C	Bowl Plug - <i>Included in 2B</i>						

Mercury/Quicksilver Use B32013 or B32020MAM

S3213 Replaces:

Baldwin BF791-0
Wix 33769

OMC Use B32014 or B32021MAM

S3214 Replaces:

Baldwin BF7968-0
Wix 33770

2

