

Turbine Series - 900/1000MA-MAM

FUEL

Specifications:

Height: 900MA: 16.2" (41.9 cm) MAM: 15.9" (41.9 cm)
1000MA: 22.0" (55.4 cm) MAM: 21.8" (55.4 cm)

Width: 5.96" (15.1 cm)

Depth: 5.96" (15.1 cm)
with Bracket 6.32" (16.1 cm)

Weight: 900MA: 6.0 lbs (2.7 kg) MAM: 7.0 lbs (3.2 kg)
1000MA: 10 lbs (4.5 kg) MAM: 11 lbs (5.0 kg)

Ports: 7/8"-14 UNF-2B (SAE J1926)

Service Clearance (Top): 900MA: 5.0" (12.7 cm)
1000MA: 10.0" (25.4 cm)

Vacuum Installation Recommended

Maximum Pressure: 15 psi (1.03 bar)

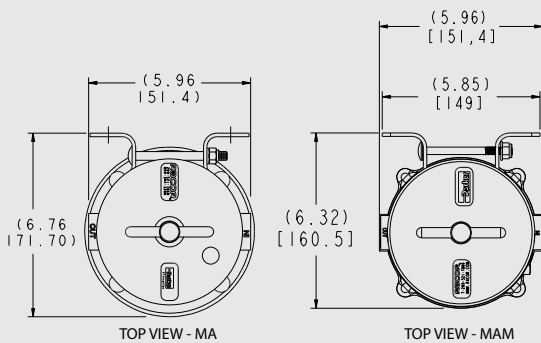
Max Flow Rate: 900MA/M: 90 gph (341 lph)
1000MA/M: 180 gph (681 lph)

Create a Part Number

Housing Type	Turbine Model - Marine 90 GPH (341 LPH) Clear Bowl/Heat Shield	Turbine Model - Marine 180 GPH (681 LPH) Clear Bowl/Heat Shield	Assembly Options	Metal Bowl Option	Probe - WIF Probe	Filtration Rating		
	900MA	1000MA					M	
	1000MA		P					
						2	10	30
								10

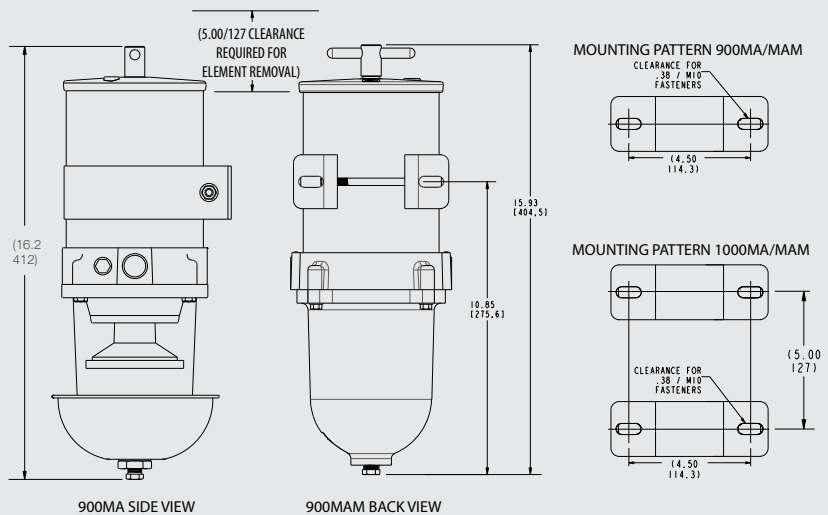
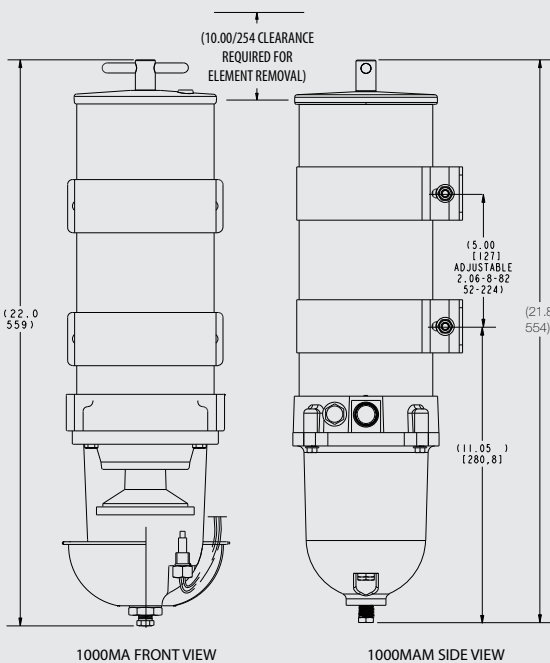
RACOR®

Dimensions:



ASSEMBLY	DESCRIPTION
900MA2	900 Marine Turbine Assy., 2 micron Filter
900MA10	900 Marine Turbine Assy., 10 micron Filter
900MA30	900 Marine Turbine Assy., 30 micron Filter
900MAM2	900 Marine - Metal Bowl - Turbine Assy., 2 micron Filter
900MAM10	900 Marine - Metal Bowl - Turbine Assy., 10 micron Filter
900MAM30	900 Marine - Metal Bowl - Turbine Assy., 30 micron Filter
1000MA2	1000 Marine Turbine Assy., 2 micron Filter
1000MA10	1000 Marine Turbine Assy., 10 micron Filter
1000MA30	1000 Marine Turbine Assy., 30 micron Filter
1000MAM2	1000 Marine - Metal Bowl - Turbine Assy., 2 micron Filter
1000MAM10	1000 Marine - Metal Bowl - Turbine Assy., 10 micron Filter
1000MAM30	1000 Marine - Metal Bowl - Turbine Assy., 30 micron Filter
1000MAP10	1000 Marine - Water Probe - Turbine Assy., 10 micron Filter

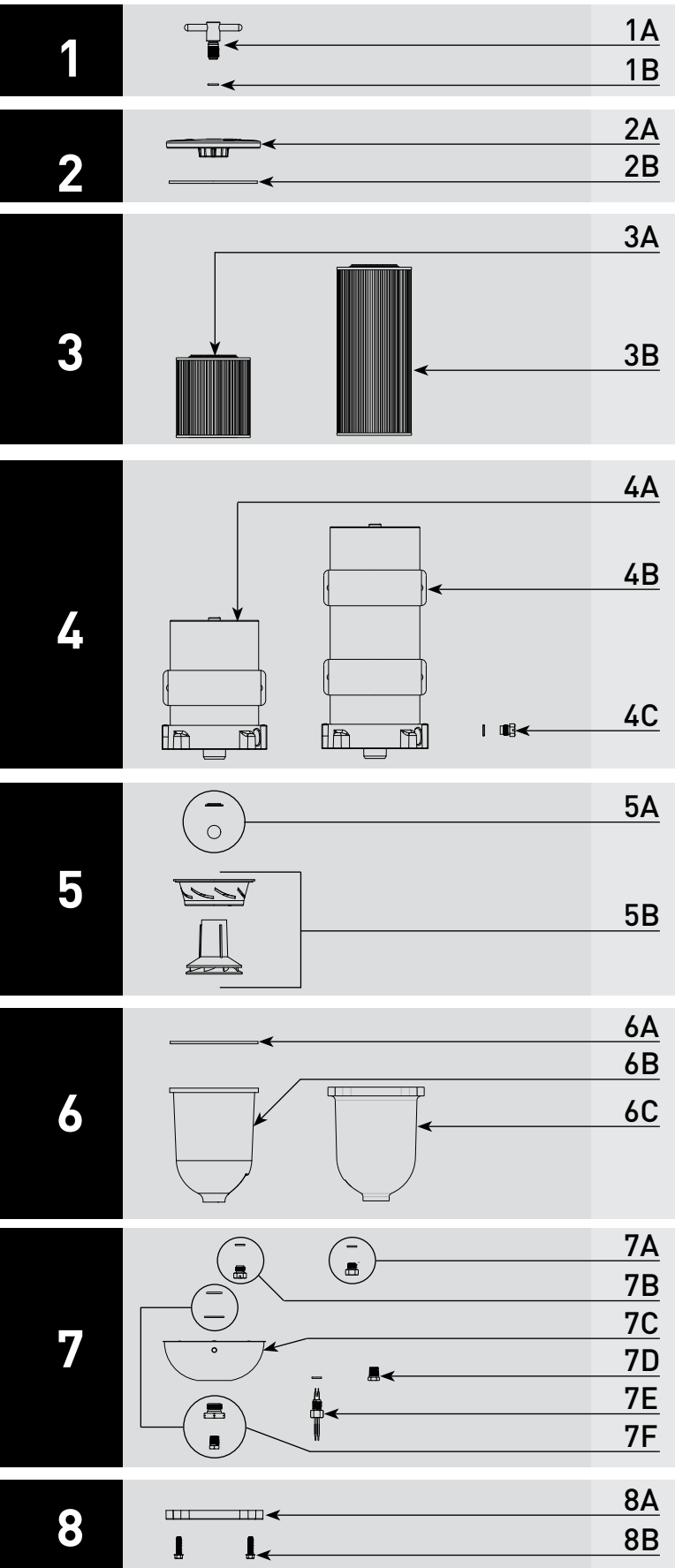
SINGLE ASSEMBLY



WARNING: The products described in this literature can expose you to chemicals including Diisononyl phthalate, Carbon black extract, which are known to the State of California to cause cancer. For more information go to www.P65Warnings.ca.gov.

PARTS

Turbine - 900/1000MA-MAM



Part #		Description
1A	RK23183	Stainless Steel T-handle Kit - Includes 1B Optional - Stainless Steel T-handle Vacuum Gauge
	RK19671	
1B		T-handle O-ring - Included in 9A
2A	RK 11-1933-04	900/1000MA-MAM Lid Kit - Includes 1B & 2B
2B		Lid Gasket - Included in 9A
3A	2040N-02	900MA/MAM Replacement Element 2 micron - Includes 1B & 2B 900MA/MAM Replacement Element 10 micron - Includes 1B & 2B 900MA/MAM Replacement Element 30 micron - Includes 1B & 2B
	2040N-10	
	2040N-30	
3B	2020N-02	1000MA/MAM Replacement Element 2 micron - Includes 1B & 2B 1000MA/MAM Replacement Element 10 micron - Includes 1B & 2B 1000MA/MAM Replacement Element 30 micron - Includes 1B & 2B
	2020N-10	
	2020N-30	
4A		900/1000MA-MAM Body/Housing - Not Sold Separately
4B	RK11-2005	Bracket Kit - (Black) Includes Bolt, Washer, and Nut
4C	RK 11-1679	Plastic Feed-thru Plug Kit (O-ring Included in 9A) Metal Feed-thru Plug - Contact Technical Support
5A	RK 11028B	Checkball and Gasket Kit (Gasket Included in 9A)
5B	RK 11-1939	Centrifuge and Baffle Kit - Includes 5A & 6A
6A		Bowl Gasket - Included in 9A
6B	RK 11-1606-1	MA Bowl Kit (Clear) - Includes 6A, 7B & 7F (Gasket & O-ring only)
6C	RK 11734-03	MAM Bowl Kit (Metal) - Includes 6A, 7A, 7D and 8B
7A	RK 20022	Metal Bowl Plug Kit (MAM) (O-ring Included in 9A)
7B	RK 20126	Plastic Bowl Plug Kit (MA) (O-ring Included in 9A)
7C	RK 11868	Heat Deflector Kit (MA) - Includes 7F
7D		Drain Plug (MAM) - Contact Technical Support
7E	RK 21069	WIF Probe - 1/2"-20 UNF - 2-wire (MA) - Requires 9C WIF Probe - Stainless Steel - 1/2"-20 UNF - 2-wire (MAM) - Requires 9C
	RK23191	
7F	RK 11-1910	Drain Plug Kit (MA) (Gasket & O-ring Included in 9A)
8A	RK 11037A-01	Bowl Ring Kit (For MA Only - White) - Includes 6A & 8B
8B	RK 11542	Cap Screw Bowl Ring Fasteners (set of 4)

Accessories and Parts Available - Not Shown

9A	RK 11-1404	Complete Seal Service Kit - 900/1000 Series Filters
9B	RK19669	Vacuum Gauge (30" Hg) - 3 needles: Theshold (red), Max Change Out (Red - Adjustable), Gauge (Black) Compound Gauge - pressure (15 PSI) and vacuum (30" Hg)
	RK19667	
9C	RK 14329	Water Detection Module - 12 vdc Water Detection Module - 24 vdc
	RK 14321	
9D	RK11-1978	Checkball Spring Kit
9E	RKP1912	Primer Pump Kit - 12 vdc - Adds 3.25" (8.26 cm) to Height Primer Pump Kit - 24 vdc - Adds 3.25" (8.26 cm) to Height
	RKP1924	

Model
MA



Model
MAM

