

Turbine Series - 771000MA-MAM

FUEL

Specifications:

- Height: 22.0" (55.88 cm)
- Width: 21.25" (53.98 cm) with Bracket
- Depth: 12.3" (31.24 cm) with Bracket
- Weight: MA - 39 lbs (17.7 kg)
MAM - 42 lbs (19.1 kg)
- Ports: 3/4"-14 NPT
- Service Clearance (Top): 10.0" (25.4 cm)
- Vacuum Installation Recommended
- Maximum Pressure: 15 psi (1.03 bar)
- Max Flow Rate: 540 gph (2044 lph)

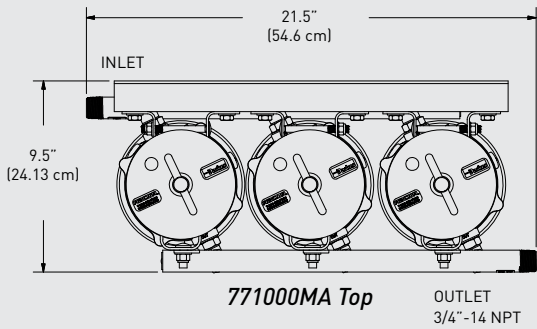
Create a Part Number

Housing Type	Filter Model	Assembly Options	Filteration Rating
Triple Assembly 540 GPH Flow Rate	Turbine Model 180 GPH Flow Rate (X3)	Metal Bowl Option *	10 micron 30 micron *
77	1000MA	M	10 30

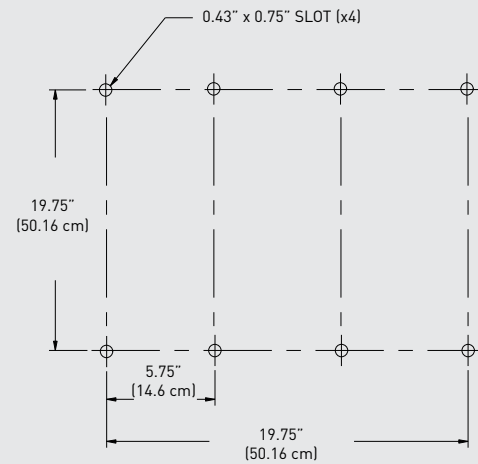
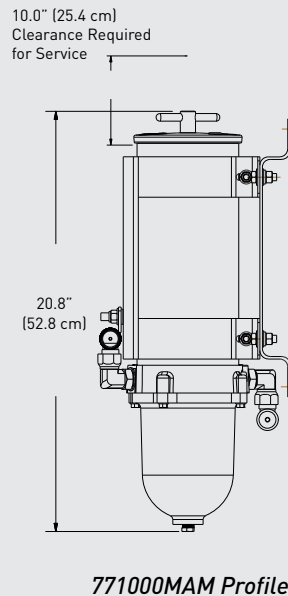
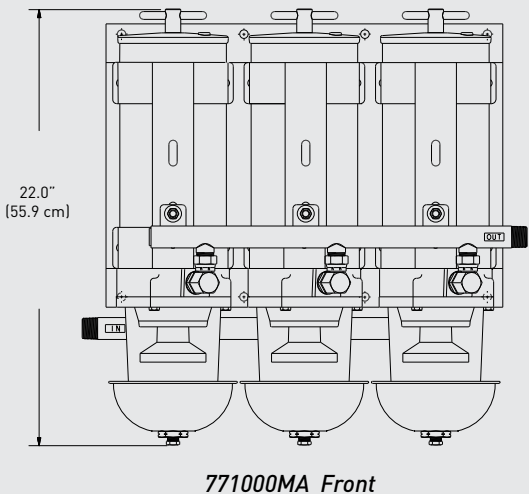
RACOR®

* Metal bowl option only available with 30 micron element

Dimensions:



ASSEMBLY	DESCRIPTION
771000MA10	Marine - Triple 1000 Turbine Assy., 10 micron Filter
771000MA30	Marine - Triple 1000 Turbine Assy., 30 micron Filter
771000MAM30	Marine - Metal Bowl - Triple 1000 Turbine Assy., 30 micron Filter



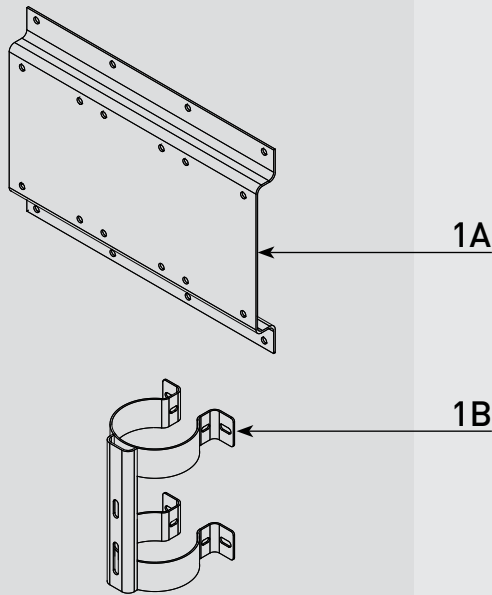
WARNING: The products described in this literature can expose you to chemicals including Diisononyl phthalate, Carbon black extract, which are known to the State of California to cause cancer. For more information go to www.P65Warnings.ca.gov.

TRIPLE ASSEMBLIES

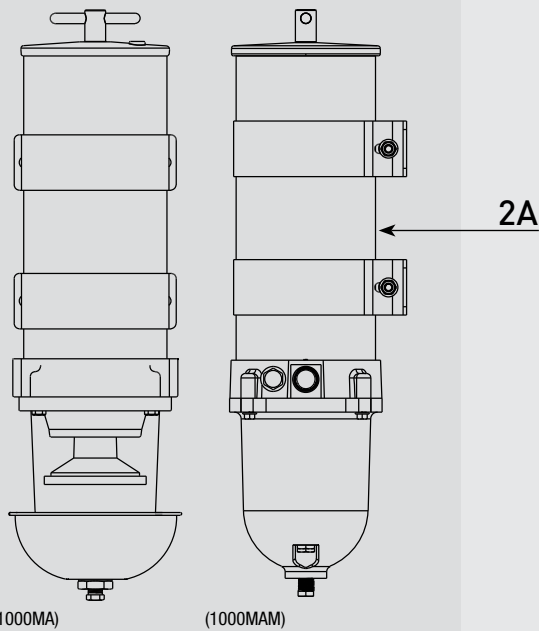
PARTS

Turbine Series - 771000MA-MAM

1



2










See **RSL0293**
For 1000MA-MAM Parts Breakdown

Part #	Description
1A	Mounting Bracket - <i>Contact Technical Support</i>
1B	Manifold Assembly Bracket - <i>Contact Technical Support</i>
2A	Turbine Fuel Filter - 1000MA Series See Cutsheet RSL0293 for available Parts and Accessories

Accessories and Parts Available (Not Shown)

3A	RK 11-1404	Complete Seal Service Kit - 1000MA Series Filters (Requires 3)
3B	RK 21069	WIF Probe (pig tail) - 1/2"-20 UNF - Requires Water Detection Module - Use 3C
	RK23191	WIF Probe (Steel/pig tail) - 1/2"-20 UNF - Requires Water Detection Module - Use 3C
3C	RK 14329	Water Detection Module - 12 vdc
	RK 14321	Water Detection Module - 24 vdc
4A		Bowl Gasket - Included in 5A
4B	RK 11-1606-1	MA Bowl Kit (Clear) - Includes 4A, 4C, Gasket & O-ring
4C	RK 20126	Plastic Bowl Plug Kit (MA) (O-ring Included in 3A)
4D	RK 11868	Heat Deflector Kit (MA) - Includes 4E
4E	RK 11-1910	Drain Plug Kit (MA) (Gasket & O-ring Included in 3A)
5A	2020N-02	1000MA Replacement Element 2 micron
	2020N-10	1000MA Replacement Element 10 micron
	2020N-30	1000MA Replacement Element 30 micron

Certifications

<p>Model MA</p>  <p>LISTED</p> 	<p>Model MAM</p>  <p>LISTED</p>   <p>Setting Standards for Safer Boating</p>  
---	--



Online Link
Turbine Series Selector



Online Link
Turbine Series
Replacement Parts Selector