

# Turbine Series - 771000FH

# FUEL

## Specifications:

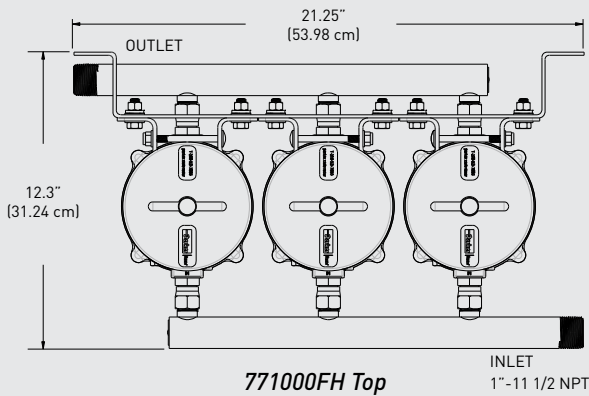
- Height: 22.0" (55.88 cm)
- Width: 21.25" (53.98 cm) with Bracket
- Depth: 12.3" (31.24 cm) with Bracket
- Weight: 39.0 lbs (17.7 kg)
- Ports: 1"-11 1/2 NPT
- Service Clearance (Top): 10.0" (25.4 cm)
- Vacuum Installation Recommended
- Maximum Pressure: 15 psi (1.03 bar)
- Max Flow Rate: 540 gph (2044 lph)

## Create a Part Number

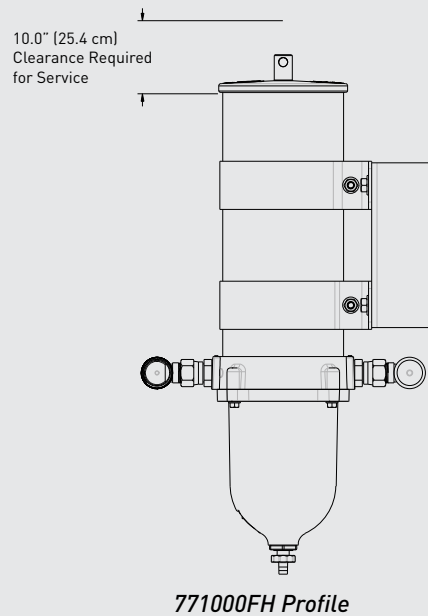
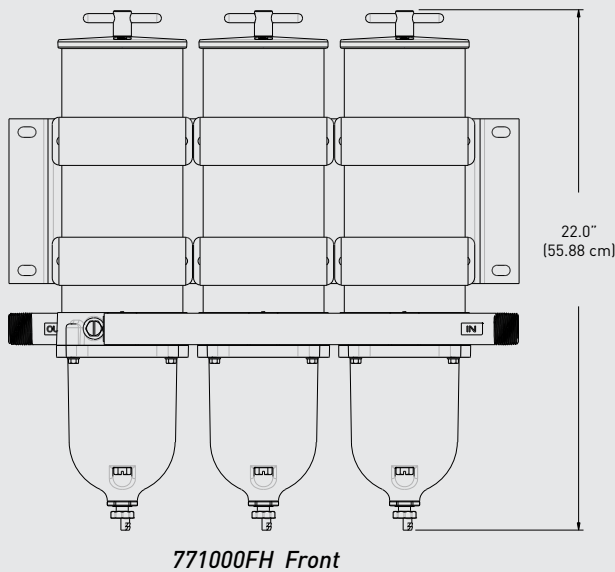
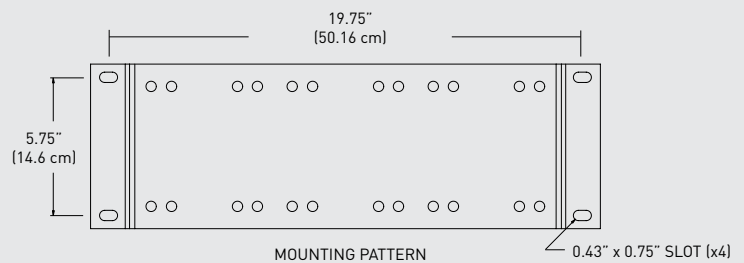
Housing Type	Filter Model	Filtration Rating
Triple Assembly 540 GPH Flow Rate	Turbine Model 180 GPH Flow Rate (X3)	2 micron 10 micron 30 micron
77	1000FH	2 10 30

**RACOR®**

## Dimensions:



ASSEMBLY	DESCRIPTION
771000FH2	Triple 1000 Turbine Assy., 2 micron Filter
771000FH10	Triple 1000 Turbine Assy., 10 micron Filter
771000FH30	Triple 1000 Turbine Assy., 30 micron Filter



TRIPLE ASSEMBLIES

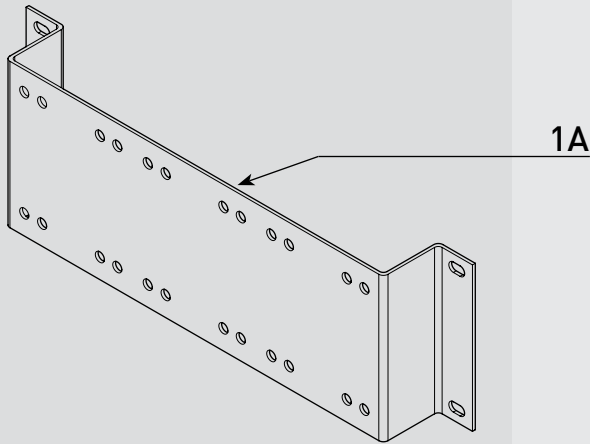


**WARNING:** The products described in this literature can expose you to chemicals including Diisononyl phthalate, Carbon black extract, which are known to the State of California to cause cancer. For more information go to [www.P65Warnings.ca.gov](http://www.P65Warnings.ca.gov).

# PARTS

## Turbine Series - 771000FH

1

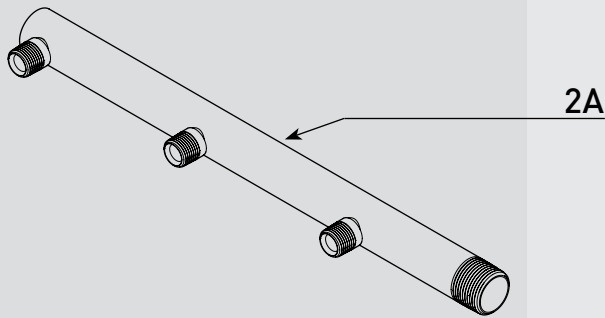


Part #	Description
1A	Mounting Bracket - <i>Contact Technical Support</i>
2A	Inlet/Outlet Manifold Tube - <i>Contact Technical Support</i>
3A	Turbine Fuel Filter - 1000FH Series See Cutsheet <b>RSL0292</b> for available Parts and Accessories

**Accessories and Parts Available (Not Shown)**

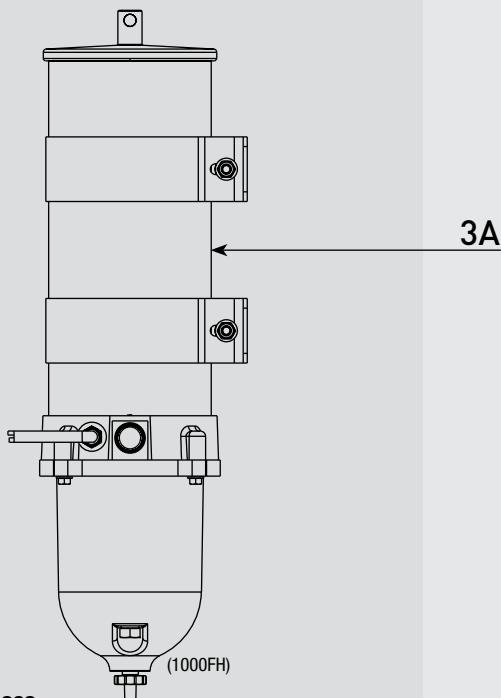
4A	RK 11-1952	Complete Seal Service Kit - 900FH/1000FH Series Filters (Requires 2)
	RK 11-1404	Complete Seal Service Kit - 900/1000 Series Filters For FG and Older Models (Requires 2)
4B	RK30880E	WIF Sensor and Light Kit - 1/2"-20 UNF
	RK33802	WIF Probe Kit - 1/2"-20 UNF - Two Wire Pigtail Water Detection Module Required - <b>Use 4C</b>
4C	RK 14329	Water Detection Module - 12 vdc
	RK 14321	Water Detection Module - 24 vdc

2



5A		Bowl Gasket - <b>Included in 4A</b>
5B	RK 11-1938	Bowl Kit - <b>Includes 5A, 5C &amp; 5D</b>
5C	RK 20126	Bowl Plug ( <b>O-ring Included in 4A</b> )
5D		Self-venting Drain ( <b>O-ring Included in 4A</b> )

3



6A	2020N-02	1000FH Replacement Element 2 micron
	2020N-10	1000FH Replacement Element 10 micron
	2020N-30	1000FH Replacement Element 30 micron

See **RSL0292**  
For 1000FH Parts Breakdown



Online Link  
Turbine Series Selector



Online Link  
Turbine Series  
Replacement Parts Selector