

Turbine Series - 75900/1000FHX

FUEL

Specifications:

Height: 75900FHX: 16.5" (41.9 cm)
751000FHX: 21.8" (55.4 cm)

Width: 18.75" (47.6 cm) with Bracket

Depth: 10.8" (27.4 cm) with Bracket

Weight: 75900FHX: 23.0 lbs (10.4 kg)
751000FHX: 30 lbs (13.6 kg)

Valve Male Fittings:
7/8"-14 UNF-2A (SAE J514 37° Flare)

Service Clearance (Top):
75900FHX: 5.0" (12.7 cm)
751000FHX: 10.0" (25.4 cm)

Vacuum Installation Recommended
Maximum Pressure: 15 psi (1.03 bar)

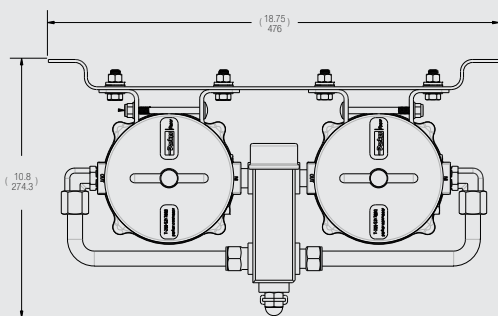
Max Flow Rate:
75900FHX: 180 gph (682 lph)
751000FHX: 360 gph (1362 lph)

Create a Part Number

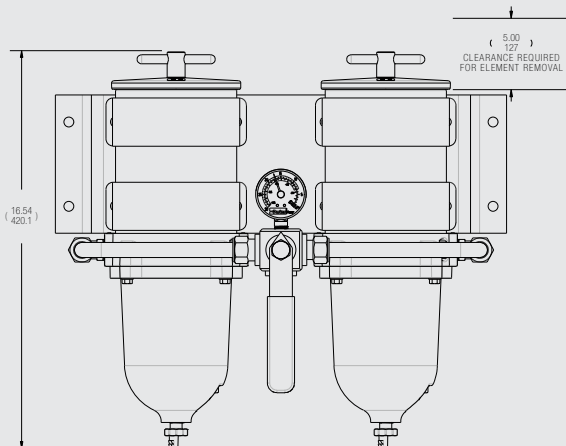
Housing Type	Filter Model	Valve Type	Filtration Rating
Dual Assembly	Turbine Model 90/180 GPH Flow Rate	6-Port Ball Valve	2 micron
75	Turbine Model 180/360 GPH Flow Rate	X	10 micron
	900FH 1000FH		30 micron

RACOR®

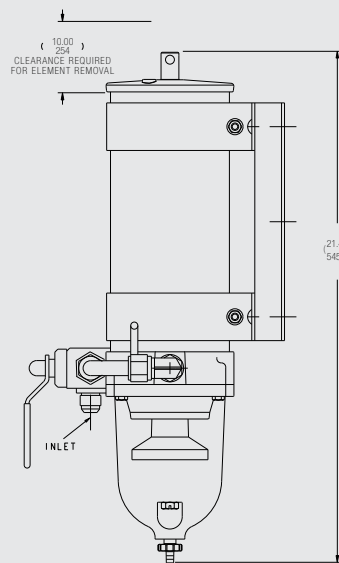
Dimensions:



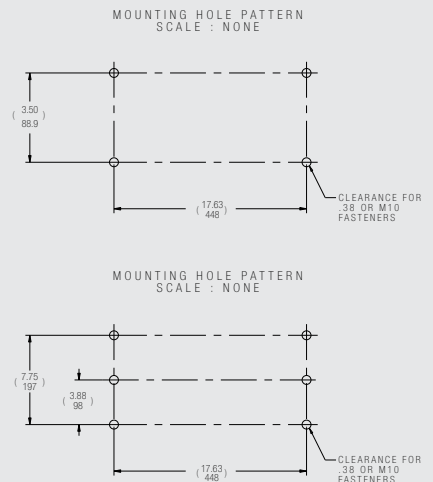
75900FHX/751000FHX Top



75900FHX Front



751000FHX Profile



ASSEMBLY	DESCRIPTION
75900FHX2	Dual 900 Turbine Assy., 2 micron Filter
75900FHX10	Dual 900 Turbine Assy., 10 micron Filter
75900FHX30	Dual 900 Turbine Assy., 30 micron Filter
751000FHX2	Dual 1000 Turbine Assy., 2 micron Filter
751000FHX10	Dual 1000 Turbine Assy., 10 micron Filter
751000FHX30	Dual 1000 Turbine Assy., 30 micron Filter

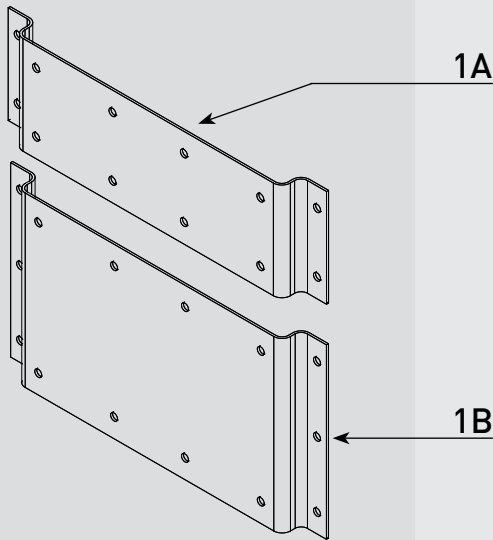
DUAL ASSEMBLIES



PARTS

Turbine Series - 75900/1000FHX

1



1A

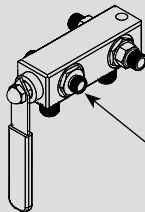
1B

2



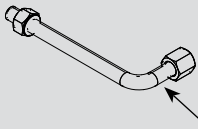
2A

3



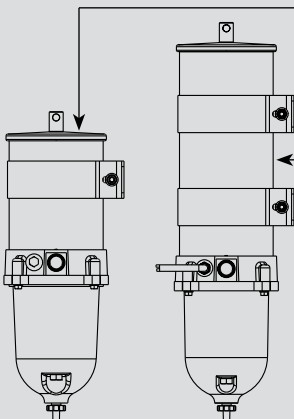
3A

4



4A

5



5A

5B

See **RSL0292**
For 900FH/1000FH Parts Breakdown

Part #	Description
1A RK 19486	Mounting Bracket - 75900FHX - Bracket only
1B RK 11-1777	Mounting Bracket - 751000FHX - Bracket only
2A RK19669	Vacuum Gauge (30" Hg) - 3 needles: Theshold (red), Max Change Out (Red - Adjustable), Gauge (Black)
RK19667	<i>Optional</i> - Compound Gauge Kit (Vacuum 30" HG / Pressure 15psi)
3A RK 19473	6-Port Ball Valve
RK 19506	Valve Service Kit - Includes Handle/Stem/O-rings/Gasket
4A RK 19475	Rigid Tubing Kit - Includes (1ea.) Tube, Ferrule and Fitting
5A	Turbine Fuel Filter - 900FH Series See Cutsheet RSL0292 for available Parts and Accessories
5B	Turbine Fuel Filter - 1000FH Series See Cutsheet RSL0292 for available Parts and Accessories

Accessories and Parts Available (Not Shown)

6A RK 11-1952	Complete Seal Service Kit - 900FH/1000FH Series Filters (Requires 2)
RK 11-1404	Complete Seal Service Kit - 900/1000 Series Filters For FG and Older Models (Requires 2)
6B RK30880E	WIF Sensor and Light Kit - 1/2"-20 UNF
6C RK 14329	Water Detection Module - 12 vdc
RK 14321	Water Detection Module - 24 vdc
7A	Bowl Gasket - Included in 6A
7B RK 11-1938	Bowl Kit - Includes 7A, 7C & 7E
7C RK 20126	Bowl Plug (O-ring Included in 6A)
7D RK33802	WIF Probe Kit - 1/2"-20 UNF - Two Wire Pigtail Water Detection Module Required - Use 6C
7E	Self-venting Drain (O-ring Included in 6A)
8A 2040N-02	900FH Replacement Element 2 micron
2040N-10	900FH Replacement Element 10 micron
2040N-30	900FH Replacement Element 30 micron
8B 2020N-02	1000FH Replacement Element 2 micron
2020N-10	1000FH Replacement Element 10 micron
2020N-30	1000FH Replacement Element 30 micron

Valve Operations

