

# Turbine Series - 75500FGX

# FUEL

## Specifications:

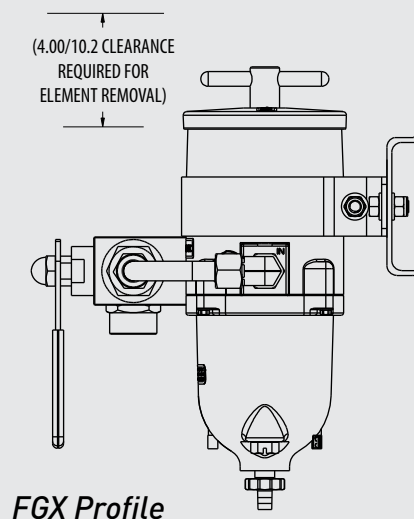
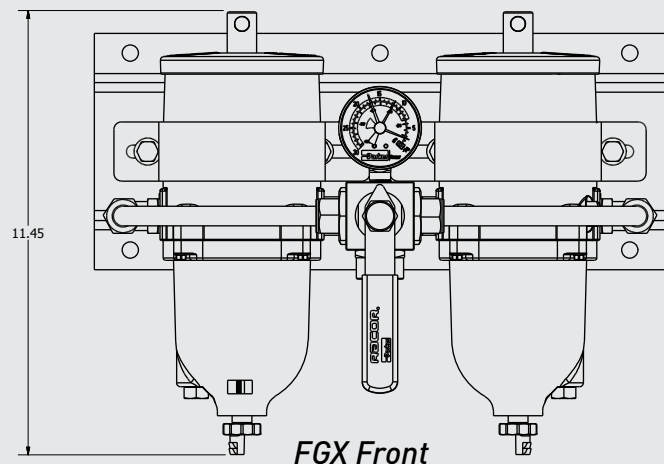
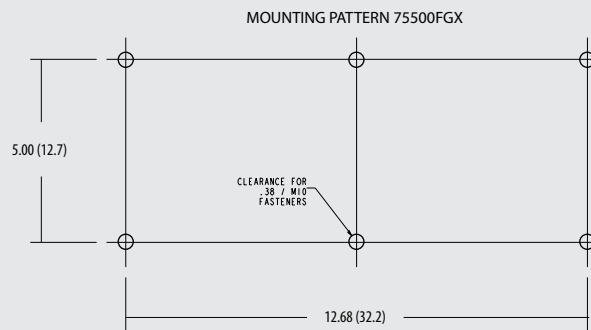
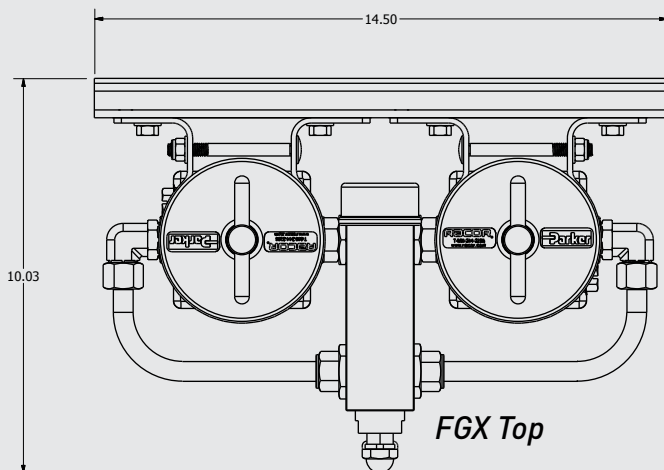
**Height:** 11.45" (29.08 cm)  
**Width:** 14.5" (36.8 cm) with Bracket  
**Depth:** 10.03" (25.5 cm) with Bracket  
**Weight:** 17.0 lbs (7.7 kg)  
**Valve Ports:** 3/4"-16 UNF  
 (SAE J1926 O-ring Boss)  
**Service Clearance (Top):** 4.0" (10.16 cm)  
**Vacuum Installation Recommended**  
**Maximum Pressure:** 15 psi (1.03 bar)  
**Max Flow Rate:** 120 gph (454 lph)

## Create a Part Number

Housing Type	Dual Assembly	Filtration Rating	Turbine Model 60/120 GPH Flow Rate	Valve Type	6-Port Ball Valve	Filtration Rating	2 micron 10 micron 30 micron
75	500FG	X	2 10 30				

# RACOR®

## Dimensions:



ASSEMBLY	DESCRIPTION
75500FGX2	Dual 500 Turbine Assy., 2 micron Filter
75500FGX10	Dual 500 Turbine Assy., 10 micron Filter
75500FGX30	Dual 500 Turbine Assy., 30 micron Filter

# DUAL ASSEMBLIES

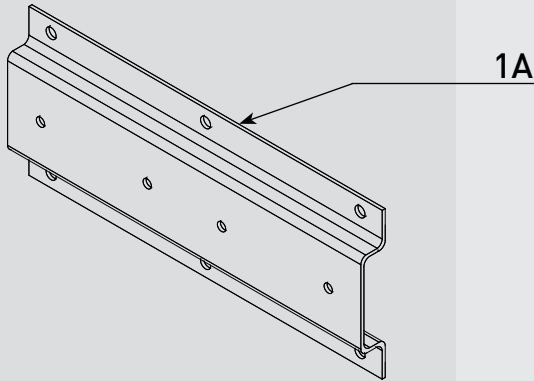


**WARNING:** The products described in this literature can expose you to chemicals including Diisononyl phthalate, Carbon black extract, which are known to the State of California to cause cancer. For more information go to [www.P65Warnings.ca.gov](http://www.P65Warnings.ca.gov).

# PARTS

# Turbine Series - 75500FGX

1



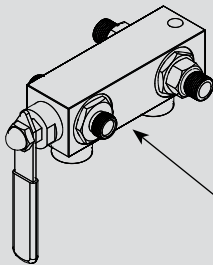
1A

2



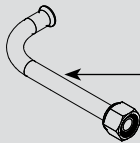
2A

3



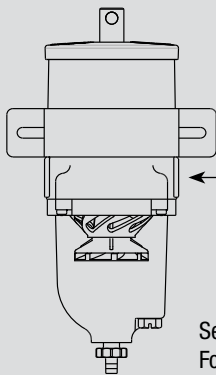
3A

4



4A

5



5A

See RSL0288  
For Complete 500FG  
Parts Breakdown

Part #	Description
1A	Mounting Bracket - Bracket only
2A RK19669 RK19667	Vacuum Gauge (30" Hg) - 3 needles: Theshold (red), Max Change Out (Red - Adjustable), Gauge (Black) <i>Optional</i> - Compound Gauge Kit (Vacuum 30" HG / Pressure 15psi)
3A RK 15390 RK 15419	6-Port Ball Valve - 1.5 in. Body Valve Rebuild Kit - <b>For 2.0 in. Valve Body Only</b>
4A RK 15391	Rigid Tubing Kit - Includes (1ea.) Tube, Ferrule and Fitting
5A	Turbine Fuel Filter - <b>500FG Series</b> See Cutsheet <b>RSL0288</b> for available Parts and Accessories

### Accessories and Parts Available (Not Shown)

6A	RK 15211	<b>Complete Seal Service Kit</b> - 500 Series Filters ( <i>Requires 2</i> )
6B	RK33802	WIF Probe Kit - 1/2"-20 UNF - <b>Requires 6D</b>
6C	RK30880E	WIF Sensor and Light Kit - 1/2"-20 UNF
6D	RK 14329 RK 14321	Water Detection Module - 12 vdc Water Detection Module - 24 vdc
7A	2010SM-OR 2010TM-OR 2010PM-OR	Replacement Element 2 micron Replacement Element 10 micron Replacement Element 30 micron
8A		Bowl Gasket - <b>Included in 6A</b>
8B	RK15405	Bowl Kit (2002 to Present) - <b>Includes 8A, 9A and 9B</b> <b>**Bowl has 5/8"-11 drain port</b>
8C	RK 15279-01	Bowl Kit (Before 2002) - <b>Includes 8A and 9B</b> <b>**Bowl has 7/8"-14 drain port</b>
9A		Self-venting Drain Kit ( <i>2002 to Present - Use with 8B</i> )
9B	RK 20126	Bowl Plug Kit
9C	RK 30488	Self-venting Drain Kit ( <i>Before 2002 - Use with 8C</i> )

### Valve Operations

