

# Turbine Series - 731000MA-MAM

# FUEL

## Specifications:

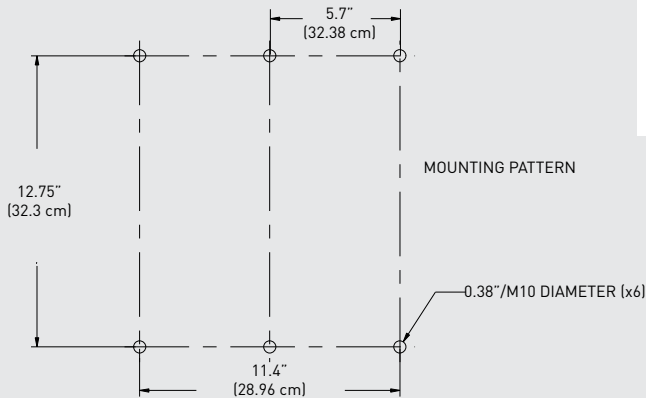
- Height: MA - 22.0" (55.9 cm)  
MAM - 20.8" (52.8 cm)
- Width: 16.5" (41.91 cm) with Bracket
- Depth: 9.5" (24.13 cm) with Bracket
- Weight: MA - 26.0 lbs (11.8 kg)  
MAM - 28.0 lbs (12.7 kg)
- Ports: 3/4"-14 NPT
- Service Clearance (Top): 10.0" (25.4 cm)
- Vacuum Installation Recommended
- Maximum Pressure: 15 psi (1.03 bar)
- Max Flow Rate: 360 gph (1362 lph)

## Create a Part Number

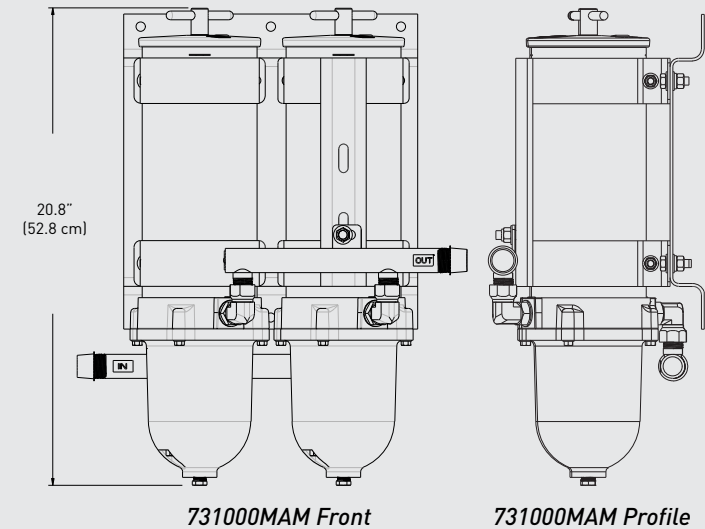
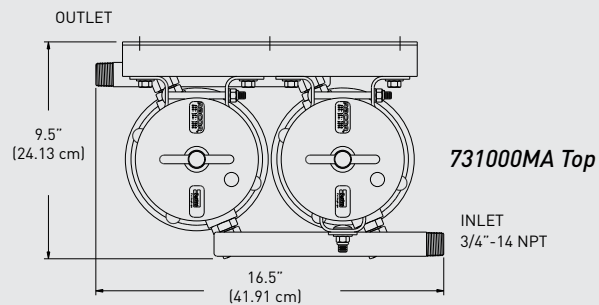
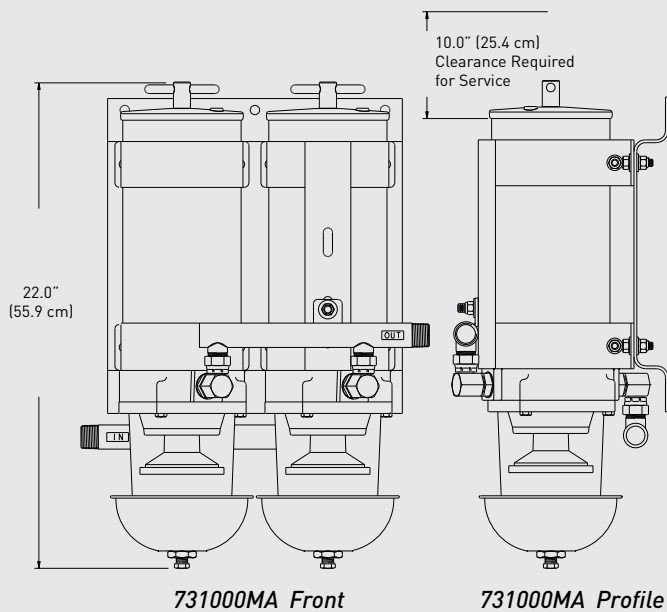
Housing Type	Dual Assembly 360 GPH Flow Rate	Filter Model	Turbine Model Marine 180 GPH Flow Rate (X2)	Assembly Options	Metal Bowl Option *	Filteration Rating	2 micron 10 micron 30 micron *
	73		1000MA		M		2 10 30

\* Metal Bowl option only available with 30 micron filter

## Dimensions:



ASSEMBLY	DESCRIPTION
731000MA2	Marine - Dual 1000 Turbine Assy., 2 micron Filter
731000MA10	Marine - Dual 1000 Turbine Assy., 10 micron Filter
731000MA30	Marine - Dual 1000 Turbine Assy., 30 micron Filter
731000MAM30	Marine - Metal Bowl - Dual 1000 Turbine Assy., 30 micron Filter



**WARNING:** The products described in this literature can expose you to chemicals including Diisononyl phthalate, Carbon black extract, which are known to the State of California to cause cancer. For more information go to [www.P65Warnings.ca.gov](http://www.P65Warnings.ca.gov).

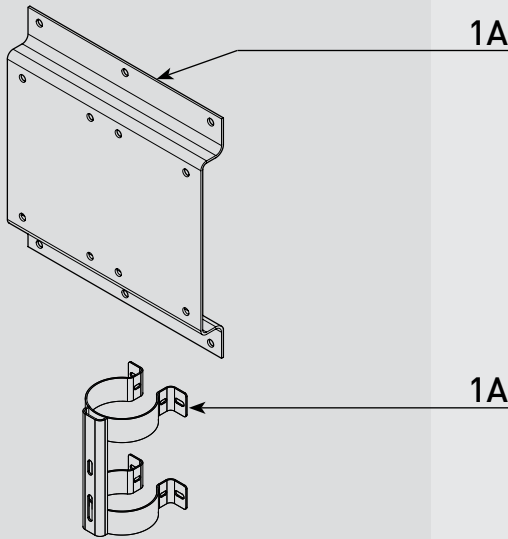
**RACOR®**

**DUAL ASSEMBLIES**

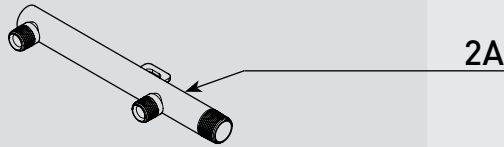
# PARTS

## Turbine Series - 731000MA-MAM

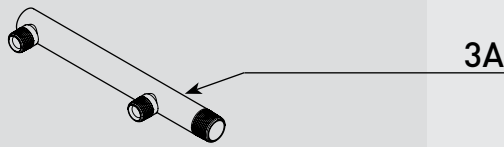
1



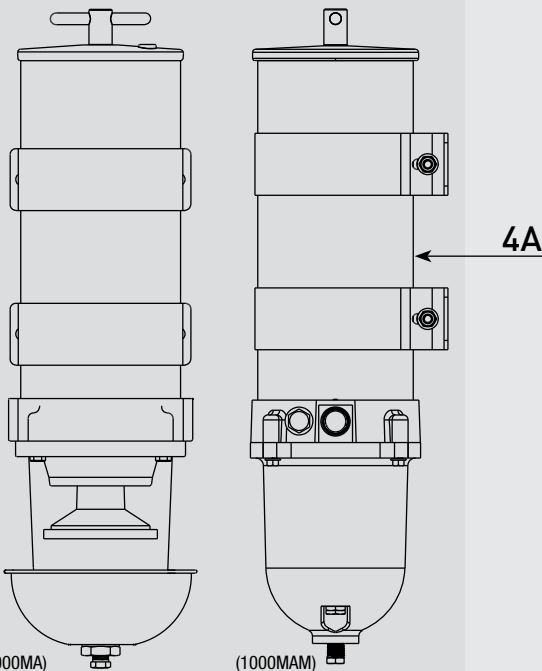
2



3



4



(1000MA)

(1000MAM)

See **RSL0293**  
For 1000MA Parts Breakdown

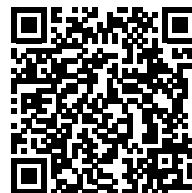
Part #	Description
1A	Mounting Bracket - <i>Contact Technical Support</i>
1B	Manifold Assembly Bracket - <i>Contact Technical Support</i>
2A	Outlet Manifold Tube - <i>Contact Technical Support</i> Outlet Manifold Tube - <i>Contact Technical Support</i>
3A	RK 11892 Inlet Manifold Tube (3/4"-14 NPT) (Beige Color)
4A	Turbine Fuel Filter - 1000MA Series See Cutsheet <b>RSL0293</b> for available Parts and Accessories

### Accessories and Parts Available (Not Shown)

5A	RK 11-1404	Complete Seal Service Kit - 1000MA Series Filters (Requires 2)
5B	RK 21069 RK23191	WIF Probe (pig tail) - 1/2"-20 UNF - <b>Requires 5C</b> WIF Probe (Steel/pig tail) - 1/2"-20 UNF - <b>Requires 5C</b>
5C	RK 14329 RK 14321	Water Detection Module - 12 vdc Water Detection Module - 24 vdc
6A		Bowl Gasket - <b>Included in 5A</b>
6B	RK 11-1606-1	MA Bowl Kit (Clear) - <b>Includes 6A, 6C, Gasket &amp; O-ring</b>
6C	RK 20126	Plastic Bowl Plug Kit (MA) ( <b>O-ring Included in 5A</b> )
6D	RK 11868	Heat Deflector Kit (MA) - <b>Includes 6E</b>
6E	RK 11-1910	Drain Plug Kit (MA) ( <b>Gasket &amp; O-ring Included in 5A</b> )
7A	2020N-02 2020N-10 2020N-30	1000MA Replacement Element 2 micron 1000MA Replacement Element 10 micron 1000MA Replacement Element 30 micron

### Certifications

Model <b>MA</b>	 	Model <b>MAM</b>	    
--------------------	------	---------------------	------------------



Online Link  
Turbine Series Selector



Online Link  
Turbine Series  
Replacement Parts Selector