

Gasoline Spin-On - 660R-RAC Series

FUEL

Specifications:

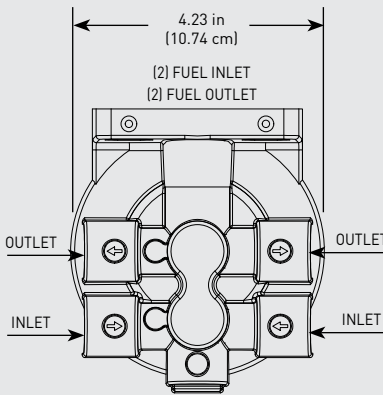
Height: 660R-RAC-01: 10.69" (27.15 cm)
 660R-RAC-02: 9.96" (25.29 cm)
Width: 4.23" (10.74 cm)
Depth: 4.73" (12.01 cm)
Weight (Dry): 660R-RAC-01: 2.47 lbs (1.12 kg)
 660R-RAC-02: 2.82 lbs (1.27 kg)
Fuel Flow Rate: 90 gph (341 lph)
Ports: 3/8-18 NPTF
Service Clearance: 2.0" (5.1 cm)

Create a Part Number

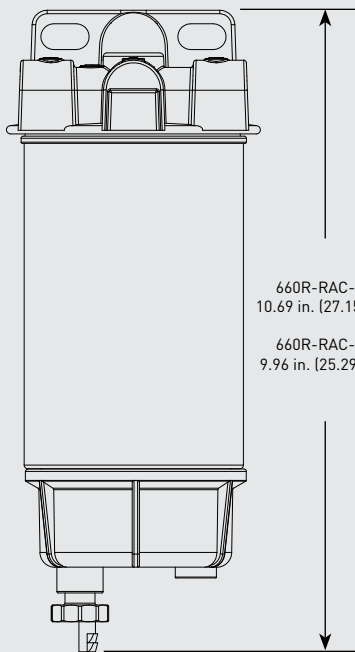
Mounting Head	Bowl Material	
4 Fuel Ports 90 gph (341 lph) Marine Gasoline	Clear Bowl - Outboard Only	Metal Bowl - Inboard/Outboard
660R-RAC	-01	-02

RACOR®

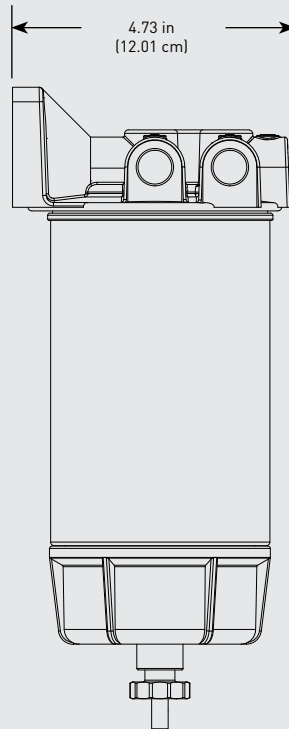
Dimensions:



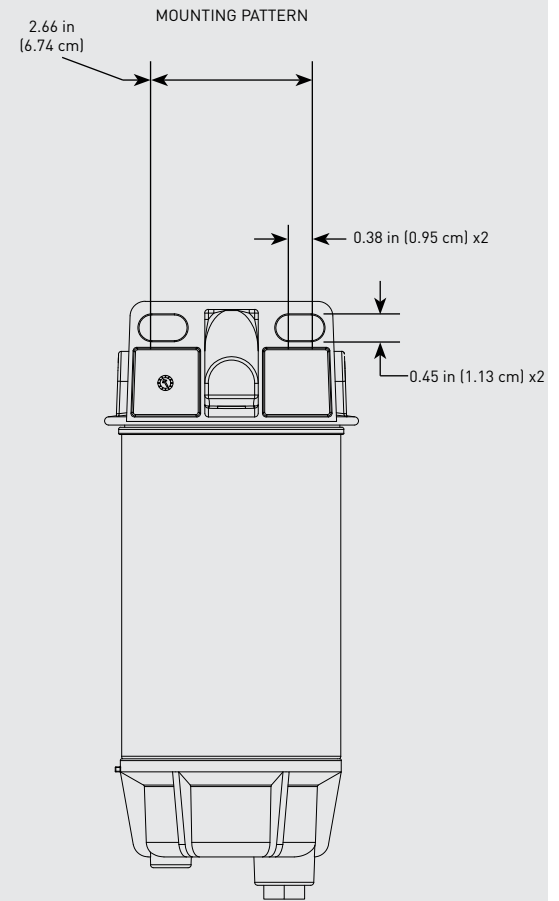
660R-RAC Series Top



660R-RAC-01 Front



660R-RAC-01 Profile



660R-RAC-02 Back

ASSEMBLIES DESCRIPTION

ASSEMBLIES	DESCRIPTION
660R-RAC-01	Outboard Only - Marine Gasoline, FF/WS, Clear Bowl, 90 gph Flow Rate, 10 Micron Filtration
660R-RAC-02	Inboard/Outboard - Marine Gasoline, FF/WS, Metal Bowl, 90 gph Flow Rate, 10 Micron Filtration

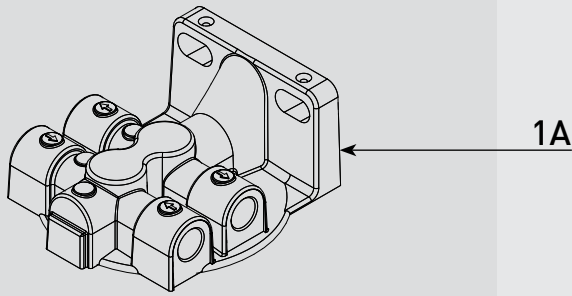


⚠ WARNING: The products described in this literature can expose you to chemicals including Diisononyl phthalate, Carbon black extract, which are known to the State of California to cause cancer. For more information go to www.P65Warnings.ca.gov.

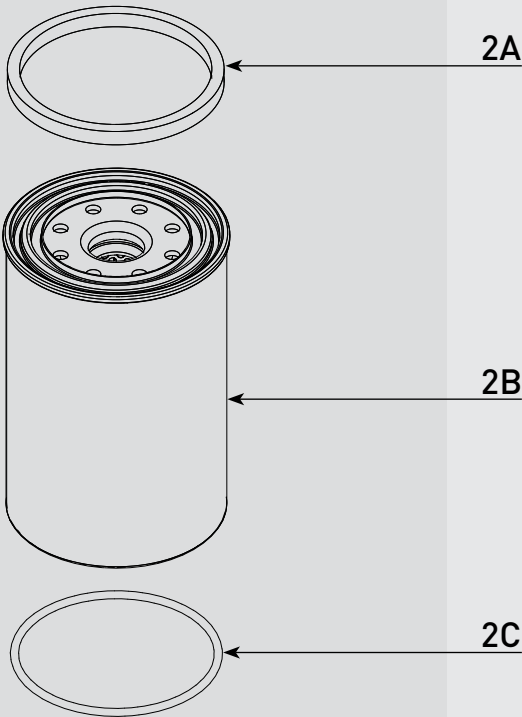
PARTS

Gasoline Spin-On - 660R-RAC Series

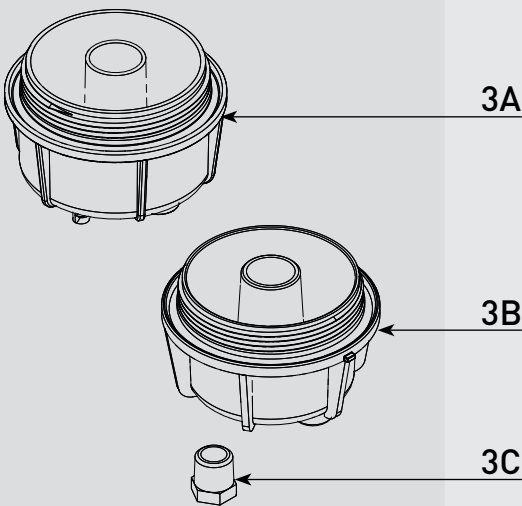
1



2



3



Part #	Description
1A	660 Series Head Assembly
2A	Square Cut Gasket - <i>Included in 2B</i>
2B	S3232 660R-RAC-01 Replacement Filter - 10 micron - <i>Includes 2A, 2C</i> S3232TUL 660R-RAC-02 Replacement Filter - 10 micron - <i>Includes 2A, 2C</i>
2C	Bowl O-ring - <i>Included in 2B & 3A</i>
3A	RK 30475 Replacement Clear Bowl Kit - <i>Includes 2C and 4A</i>
3B	RK 30473-02 Replacement Metal Bowl Kit - <i>Includes 2C and 3C</i>
3C	Bowl Drain Port Plug Kit - 3/8-18 NPTF Steel Hex Plug

Additional Parts (not shown)

4A	Self-Venting Drain
----	--------------------

Online Link
Marine Fuel Spin-On Product Selector



RSL0372_CUT_SpinOn_660R-RAC-Series (04/18 Rev -)

Questions? Email: racortech@parker.com Phone: 800-344-3286 News: www.racornews.com