

Diesel Spin-On - 400MAM Series

FUEL

Specifications:

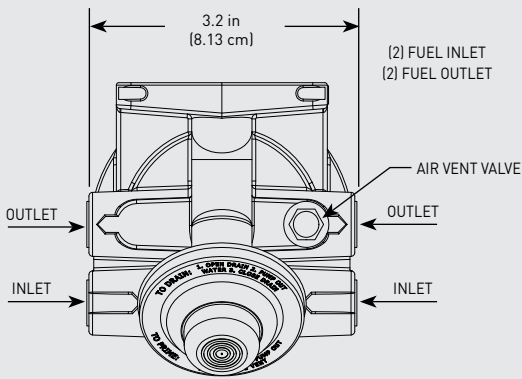
Height: 445: 9.5" (24.13 cm)
 460: 11.0" (27.94 cm)
 490 & 4120: 13.0" (33.02 cm)
Width: 4.39" (11.15 cm)
Depth: 4.79" (12.17 cm)
Ports: 445, 460, 490: 3/8-18 NPTF
 4120: 3/4-16 UNF-2B
Service Clearance: 2.0" (5.1 cm)

Create a Part Number

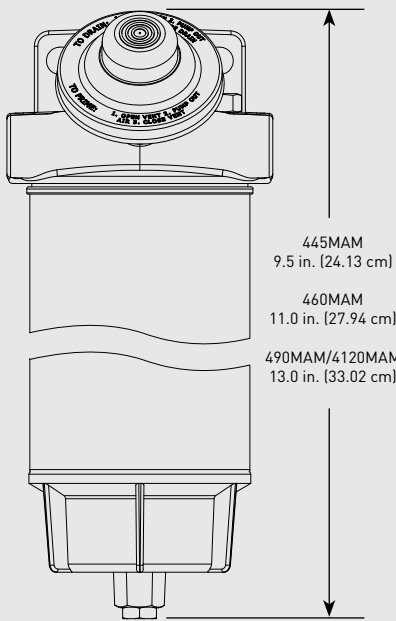
Mounting Head	Flow Rating				Required	Micron Rating
Hand Primer - 4 Port	45 gph (170 lph)	60 gph (227 lph)	90 gph (341 lph)	120 gph (454 lph)	Marine Metal Bowl	10 Micron 30 Micron - 4120 Only
4	45	60	90	120	MAM	10 30

RACOR®

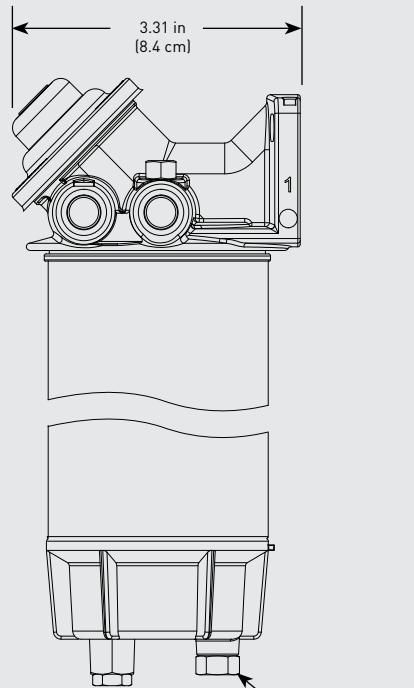
Dimensions:



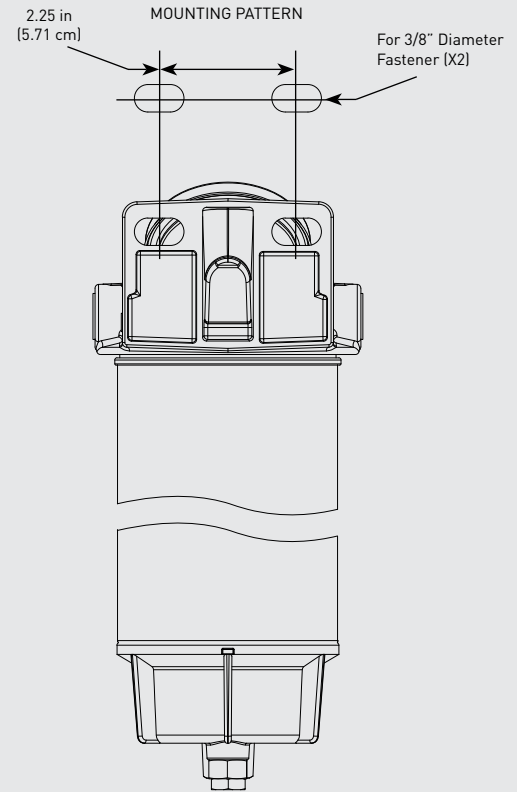
400MAM Series Top



400MAM Front



400MAM Profile



400MAM Front

ASSEMBLIES	DESCRIPTION
445MAM10	FF/WS, Hand Primer, 45 gph Flow Rate, 10 Micron Filtration
460MAM10	FF/WS, Hand Primer, 60 gph Flow Rate, 10 Micron Filtration
490MAM10	FF/WS, Hand Primer, 90 gph Flow Rate, 10 Micron Filtration
4120MAM30	FF/WS, Hand Primer, 120 gph Flow Rate, 30 Micron Filtration

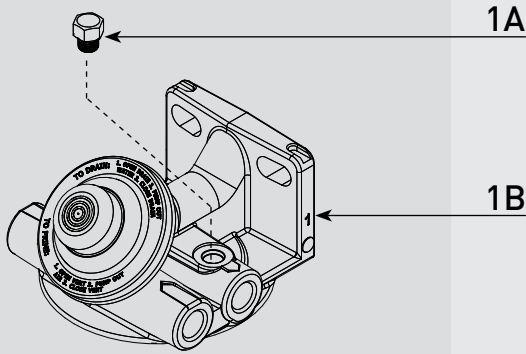


WARNING: The products described in this literature can expose you to chemicals including Diisononyl phthalate, Carbon black extract, which are known to the State of California to cause cancer. For more information go to www.P65Warnings.ca.gov.

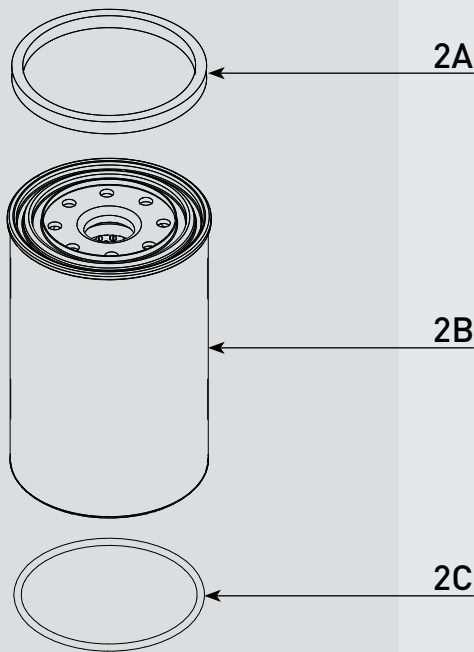
PARTS

Diesel Spin-On - 400MAM Series

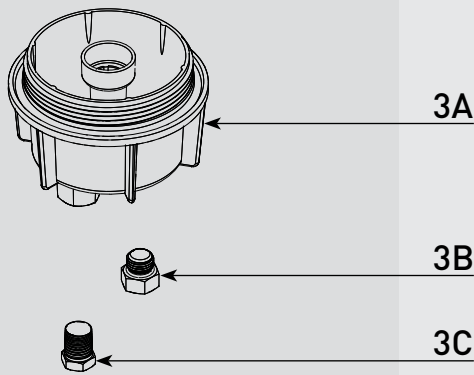
1



2



3



Part #	Description
1A	RK 10110 Vent Plug Kit - 3/8-24 SAE Plug
1B	400MAM Series Head Assembly

2A	Square Cut Gasket - <i>Included in 2B</i>
2B	S3204TUL 445MAM Replacement Filter - 10 micron - <i>Includes 2A, 2C</i> S3211TUL 460MAM Replacement Filter - 10 micron - <i>Includes 2A, 2C</i> S3201TUL 490MAM Replacement Filter - 10 micron - <i>Includes 2A, 2C</i> S3201PUL 4120MAM Replacement Filter - 30 micron - <i>Includes 2A, 2C</i>
2C	Bowl O-ring - <i>Included in 2B & 3A</i>

3A	RK 30495 Replacement Bowl Kit - <i>Includes 2C, 3B, and 3C</i>
3B	WIF Port Plug - 1/2" - 20 UNF
3C	Drain Plug - 1/4" - 18 NPTF

Additional Parts (not shown)

4A	RK 19492 Shut-off Valve Drain Kit - UL Listed
4B	RK30880E WIF Sensor/Detection Kit - 1/2"-20 UNF RK23191 WIF Probe Kit (Stainless Steel) - 1/2"-20 UNF - 2-wire - <i>Requires Water Detection Amplifier - See RSL7501 for available Probes, Sensors, and Amplifiers</i>
4C	RK 20726 Water Detection Module Kit - 12 or 24 vdc - Includes Amplifier (Light and Buzzer) & RK 21069 (WIF Probe) <i>See RSL7501 for available Probes, Sensors, and Amplifiers</i>

Online Link
Diesel Marine Spin-On Product Selector



RSL0380_CUT_SpinOn_400MAM-Series (04/18 Rev -)

Questions? Email: racortech@parker.com Phone: 800-344-3286 News: www.racornews.com