

Gasoline Spin-On - 320R-RAC Series

FUEL

Specifications:

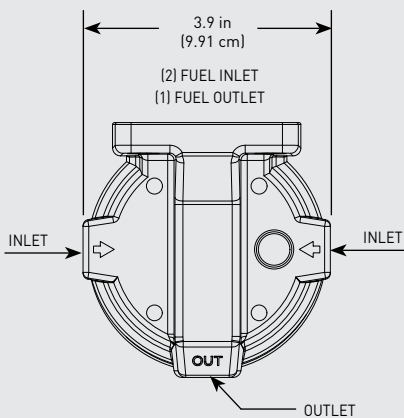
Height: 320R-RAC-01: 9.16" (23.27 cm)
 320R-RAC-02: 8.75" (22.23 cm)
Width: 3.9" (9.91 cm)
Depth: 4.02" (10.21 cm)
Weight (Dry): 320R-RAC-01: 1.25 lbs (0.56 kg)
 320R-RAC-02: 1.34 lbs (0.60 kg)
Fuel Flow Rate: 60 gph (227 lph)
Ports: 1/4-18 NPTF
Service Clearance: 2.0" (5.1 cm)

Create a Part Number

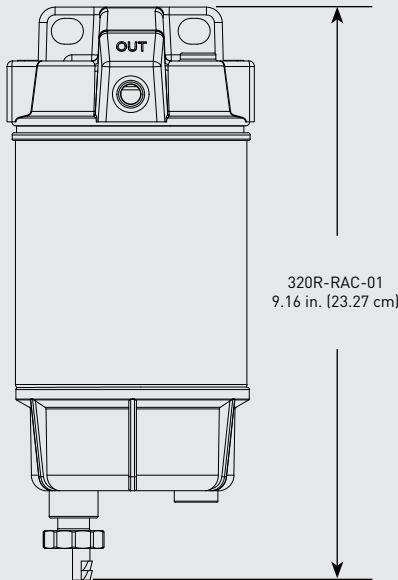
Mounting Head	Bowl Material
3 Fuel Ports 60 gph (227 lph) Marine Gasoline	Clear Bowl - Outboard Only
320R-RAC	Metal Bowl - Inboard/Outboard
	-01 -02

RACOR®

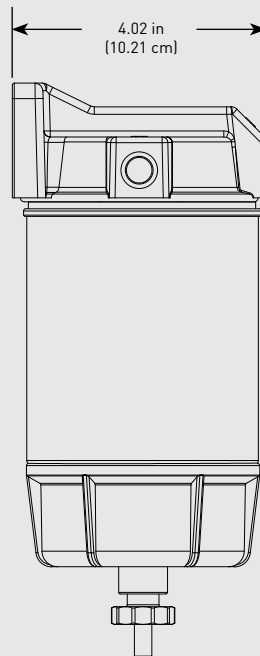
Dimensions:



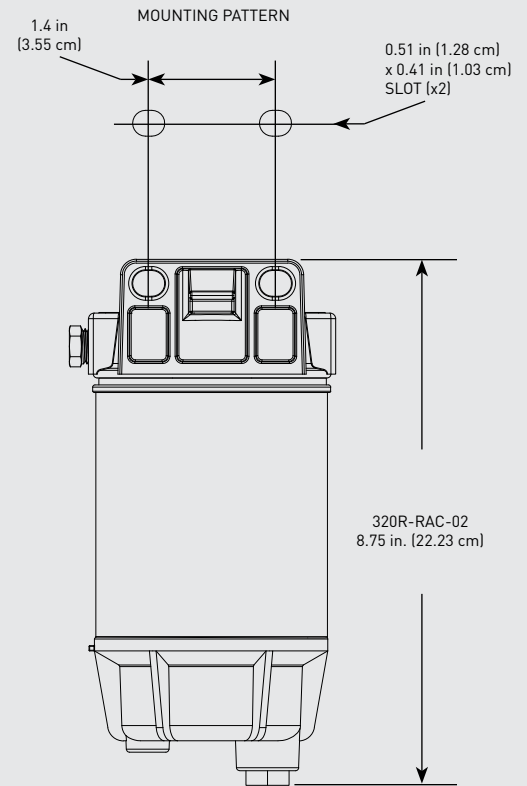
320 Series Top



Front



Profile



Back

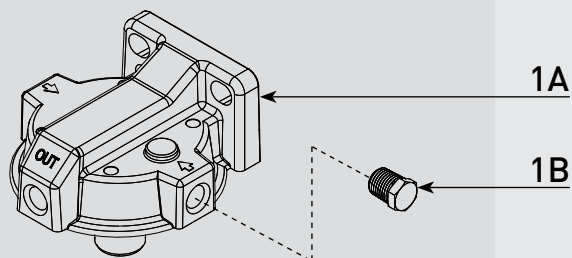
ASSEMBLIES	DESCRIPTION
320R-RAC-01	Outboard Only - Marine Gasoline, FF/WS, Clear Bowl, 60 gph Flow Rate, 10 Micron Filtration
320R-RAC-02	Inboard/Outboard - Marine Gasoline, FF/WS, Metal Bowl, 60 gph Flow Rate, 10 Micron Filtration



PARTS

Gasoline Spin-On - 320R-RAC Series

1



Part #	Description
1A	320 Series Head Assembly
1B	1/4 in NPTF Steel Plug

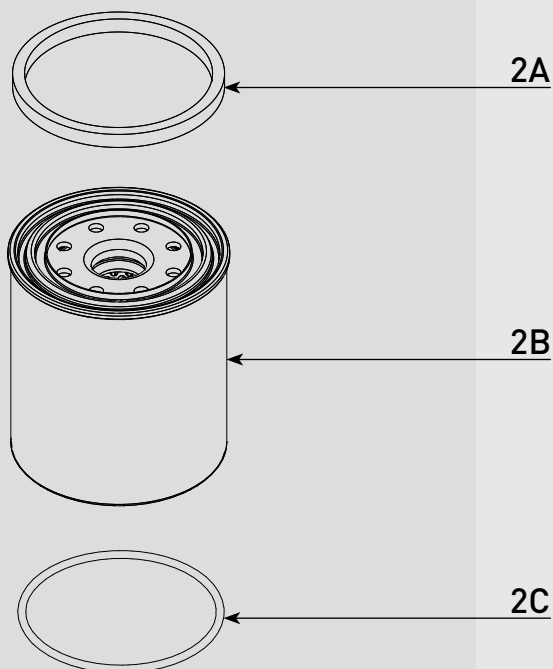
2A	Square Cut Gasket - <i>Included in 2B</i>
2B	S3227 S3228TUL 320R-RAC-01 Replacement Filter - 10 micron - <i>Includes 2A, 2C</i> 320R-RAC-02 Replacement Filter - 10 micron - <i>Includes 2A, 2C</i>
2C	Bowl O-ring - <i>Included in 2B & 3A</i>

3A	RK 30475 Replacement Clear Bowl Kit - <i>Includes 2C and 4A</i>
3B	RK 30473-02 Replacement Metal Bowl Kit - <i>Includes 2C and 3C</i>
3C	Bowl Drain Port Plug Kit

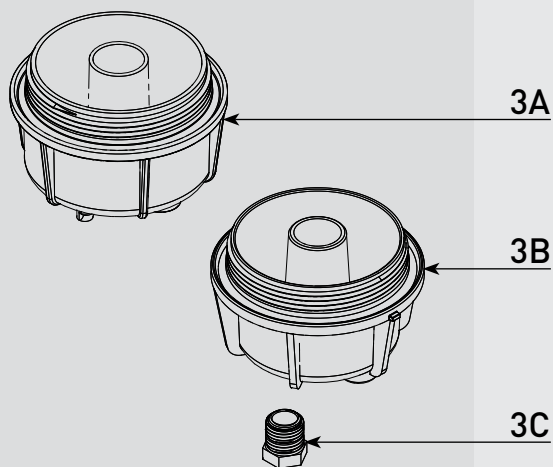
Additional Parts (not shown)

4A	Self-Venting Drain
----	--------------------

2



3



Online Link
Marine Fuel Spin-On Product Selector



RSL0370_CUT_SpinOn_320R-RAC-Series (02/19 Rev A)

Questions? Email: racortech@parker.com Phone: 800-344-3286 News: www.racornews.com