

Gasoline Spin-On - 3120R-RAC Series

FUEL

Specifications:

Height: With Bracket: 10.18" (25.85 cm)
 Assembly Only: 9.68" (24.58 cm)

Width: With Bracket: 4.0" (10.16 cm)
 Assembly Only: 3.75" (9.52 cm)

Depth: With Bracket: 5.0" (12.7 cm)
 Assembly Only: 3.57" (9.06 cm)

Weight (Dry): With Bracket: 4.98 lb (2.25 kg)
 Assembly Only: 3.1 lb (1.4 kg)

Ports: 1/2-14 NPTF

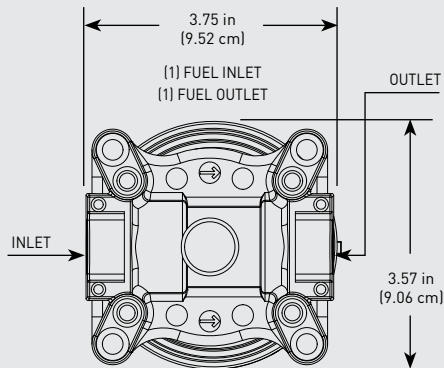
Service Clearance: 2.0" (5.1 cm)

Create a Part Number

Mounting Head	2 Fuel Ports 120 gph (454 lph)	Bowl Material	Metal Bowl - Inboard/Outboard
	3120R-RAC		-32

RACOR[®]

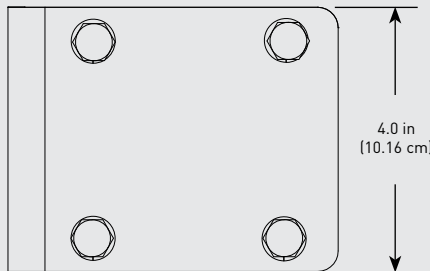
Dimensions:



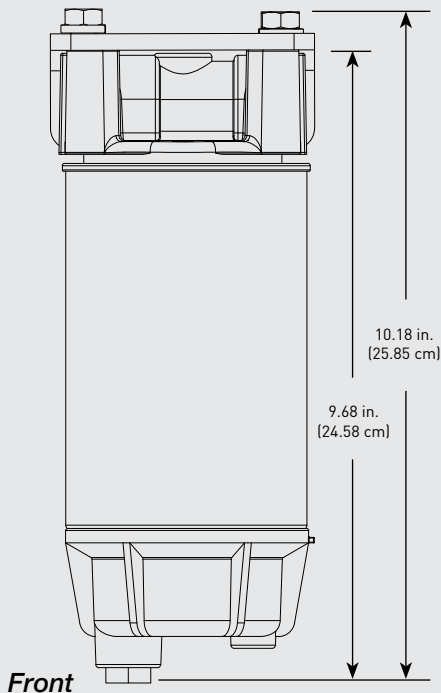
Top - Without Bracket

ASSEMBLIES DESCRIPTION

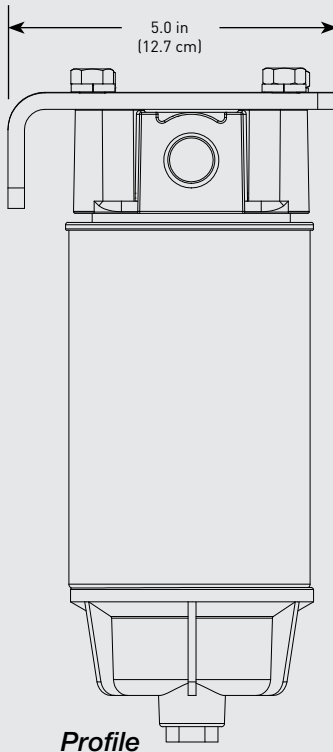
3120R-RAC-32 Inboard/Outboard - Marine Gasoline, FF/WS, Metal Bowl, 120 gph Flow Rate, 10 Micron Filtration



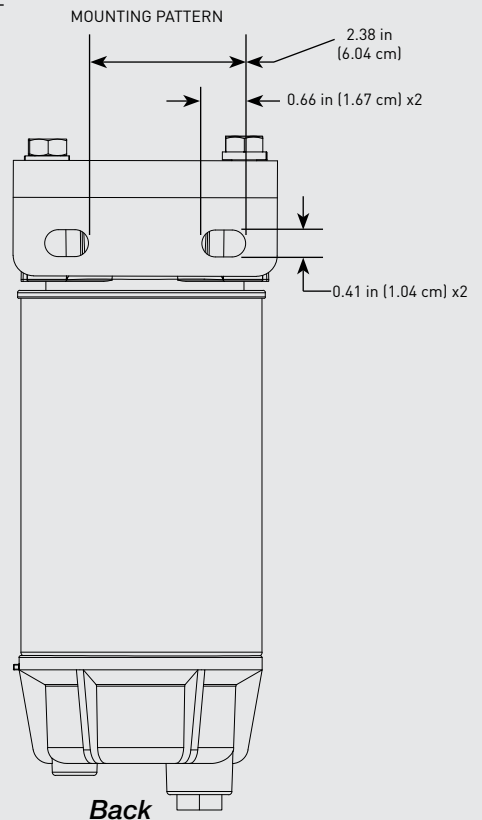
Top - With Bracket



Front



Profile



Back

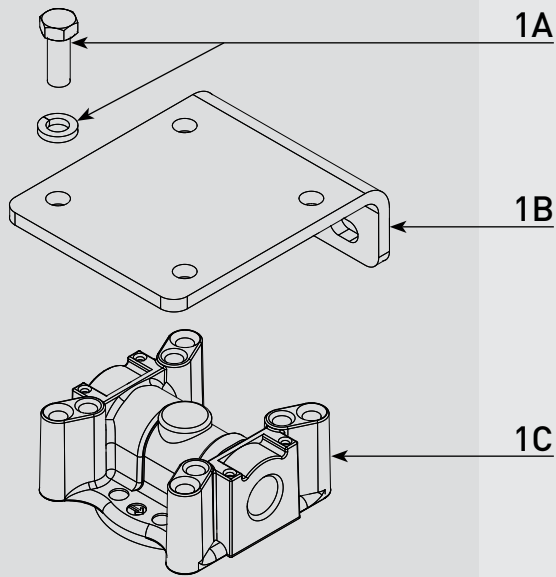


WARNING: The products described in this literature can expose you to chemicals including Diisononyl phthalate, Carbon black extract, which are known to the State of California to cause cancer. For more information go to www.P65Warnings.ca.gov.

PARTS

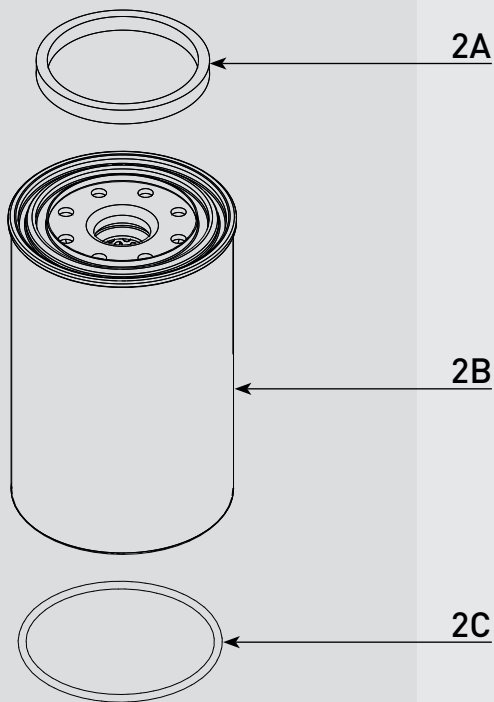
Gasoline Spin-On - 3120R-RAC Series

1

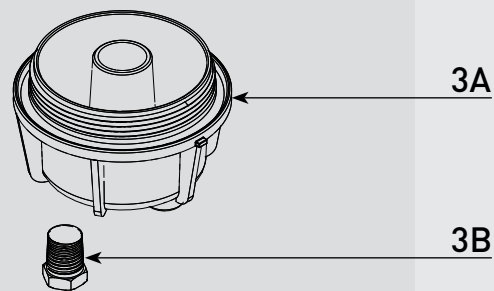


Part #	Description
1A	Mounting Hardware (X4) - 3/8"-16 x1" Capscrew; 3/8" Lock Washer
1B	3120 Series Mounting Bracket
1C	3120 Series Head Assembly
2A	Square Cut Gasket - <i>Included in 2B</i>
2B	S3232TUL S3232 3120R-RAC-32 Replacement Filter - 10 micron - <i>Includes 2A, 2C</i> Replacement Filter - 10 micron - <i>Includes 2A, 2C</i>
2C	Bowl O-ring - <i>Included in 2B & 3A</i>
3A	RK 30473-02 Replacement Metal Bowl Kit - <i>Includes 2C and 3B</i>
3B	Bowl Drain Port Plug Kit - 3/8"-18 NPTF Steel Hex Plug

2



3



Online Link
Marine Fuel Spin-On Product Selector



RSL0373_CUT_SpinOn_3120R-RAC-Series (04/18 Rev -)

Questions? Email: racortech@parker.com Phone: 800-344-3286 News: www.racornews.com