

Diesel Spin-On - 300RC Series

FUEL

Specifications:

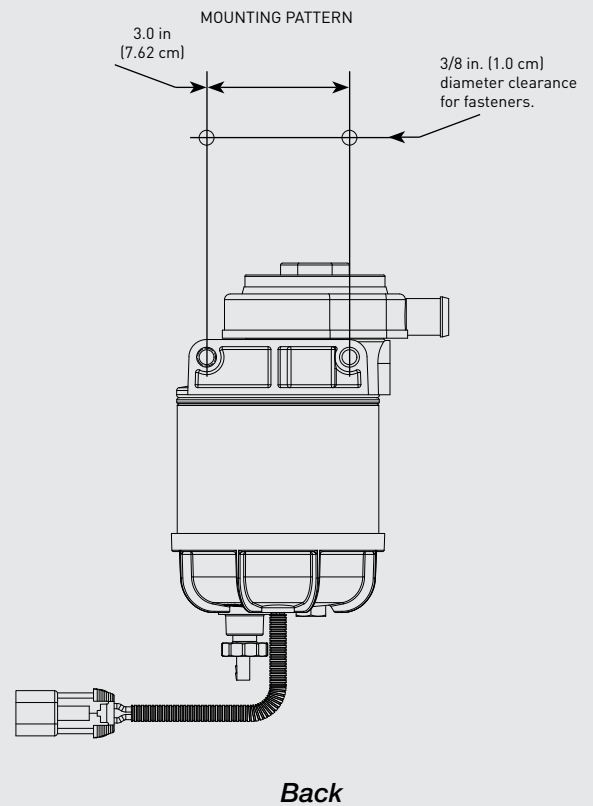
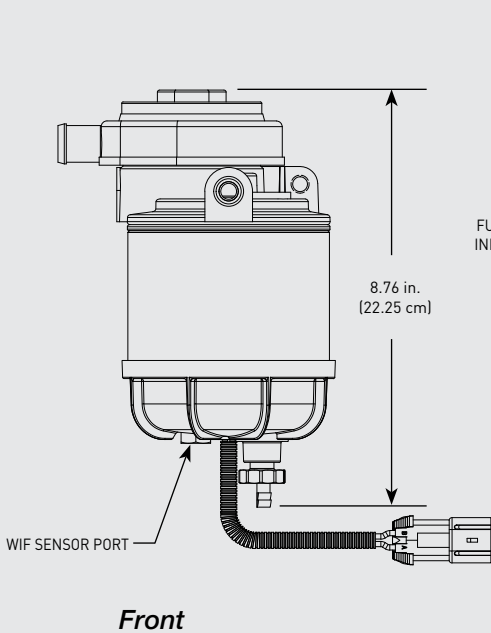
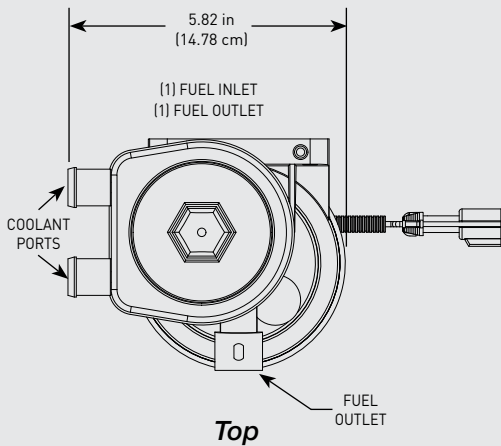
Height: 8.76" (22.25 cm)
Width: 5.82" (14.78 cm)
Depth: 4.86" (12.34 cm)
Weight (Dry): 2.5 lbs (1.13 kg)
Fuel Flow Rate: 45 gph (170 lph)
Ports: Fuel: 3/8-18 NPTF
 Coolant: 5/8 ID Hose
Service Clearance: Above: 5.0" (12.7 cm)
 Below: 2.0" (5.08 cm)

Create a Part Number

Mounting Head	2 Fuel Ports	Flow Rating	45 gph (170 lph)	Head Heater	Coolant Heat Exchanger	Bowl Heater	12 vdc - 200 watt	Micron Rating	2 Micron 30 Micron
	3		45		RC		12		2 30

RACOR®

Dimensions:



ASSEMBLIES	DESCRIPTION
345RC122	FF/WS, 45 gph Flow Rate, Coolant Heater, 12V Bowl Heater, 2 Micron Filtration
345RC1230	FF/WS, 45 gph Flow Rate, Coolant Heater, 12V Bowl Heater, 30 Micron Filtration

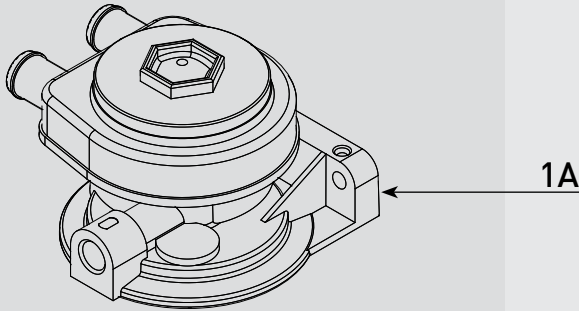


WARNING: The products described in this literature can expose you to chemicals including Diisononyl phthalate, Carbon black extract, which are known to the State of California to cause cancer. For more information go to www.P65Warnings.ca.gov.

PARTS

Diesel Spin-On - 300RC Series

1



Part #	Description
1A	300RC Series Head Assembly

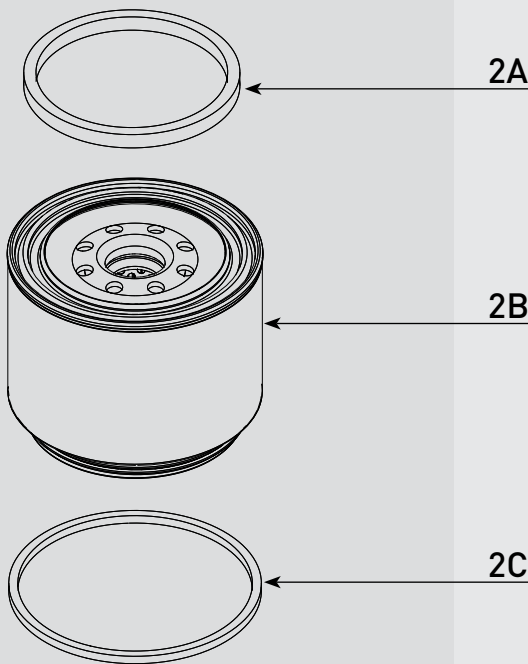
2A	Square Cut Gasket - <i>Included in 2B</i>						
2B	<table border="1"> <tbody> <tr> <td>R45S</td> <td>345RC Replacement Filter - 2 micron - <i>Includes 2A, 2C</i></td> </tr> <tr> <td>R45T</td> <td>345RC Replacement Filter - 10 micron - <i>Includes 2A, 2C</i></td> </tr> <tr> <td>R45P</td> <td>345RC Replacement Filter - 30 micron - <i>Includes 2A, 2C</i></td> </tr> </tbody> </table> <p><i>Additional Replacement Filters Available - Contact Racor Technical Support at racortech@parker.com</i></p>	R45S	345RC Replacement Filter - 2 micron - <i>Includes 2A, 2C</i>	R45T	345RC Replacement Filter - 10 micron - <i>Includes 2A, 2C</i>	R45P	345RC Replacement Filter - 30 micron - <i>Includes 2A, 2C</i>
R45S	345RC Replacement Filter - 2 micron - <i>Includes 2A, 2C</i>						
R45T	345RC Replacement Filter - 10 micron - <i>Includes 2A, 2C</i>						
R45P	345RC Replacement Filter - 30 micron - <i>Includes 2A, 2C</i>						
2C	Bowl Gasket - <i>Included in 2B & 3A</i>						

3A	<table border="1"> <tbody> <tr> <td>RK21113-12-01</td> <td>Heated Bowl Kit - Clear bowl with 12 vdc heater - <i>Includes 2C, 3B, & 4A - Initial installations require heater relay RK 11861 - See 4D</i></td> </tr> <tr> <td>Not Shown:</td> <td></td> </tr> <tr> <td>RK21113-01</td> <td>Clear Bowl Kit - <i>Includes 2C, 3C, & 4A</i></td> </tr> <tr> <td>RK21113-02</td> <td>Clear Bowl & WIF Sensor Kit - <i>Includes 2C, 4A, & 4B</i></td> </tr> <tr> <td>RK21113-12-10</td> <td>Heated Bowl Kit - Clear bowl with 12 vdc heater - <i>Includes 2C, 4A, & 4B - Initial installations require heater relay RK 11861 - See 4D</i></td> </tr> </tbody> </table>	RK21113-12-01	Heated Bowl Kit - Clear bowl with 12 vdc heater - <i>Includes 2C, 3B, & 4A - Initial installations require heater relay RK 11861 - See 4D</i>	Not Shown:		RK21113-01	Clear Bowl Kit - <i>Includes 2C, 3C, & 4A</i>	RK21113-02	Clear Bowl & WIF Sensor Kit - <i>Includes 2C, 4A, & 4B</i>	RK21113-12-10	Heated Bowl Kit - Clear bowl with 12 vdc heater - <i>Includes 2C, 4A, & 4B - Initial installations require heater relay RK 11861 - See 4D</i>
RK21113-12-01	Heated Bowl Kit - Clear bowl with 12 vdc heater - <i>Includes 2C, 3B, & 4A - Initial installations require heater relay RK 11861 - See 4D</i>										
Not Shown:											
RK21113-01	Clear Bowl Kit - <i>Includes 2C, 3C, & 4A</i>										
RK21113-02	Clear Bowl & WIF Sensor Kit - <i>Includes 2C, 4A, & 4B</i>										
RK21113-12-10	Heated Bowl Kit - Clear bowl with 12 vdc heater - <i>Includes 2C, 4A, & 4B - Initial installations require heater relay RK 11861 - See 4D</i>										
3B	RK 20126 Bowl WIF Port Plug Kit										

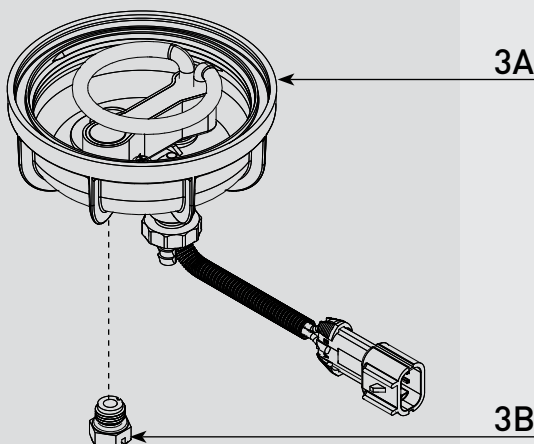
Additional Parts (not shown)

4A	Self-Venting Drain		
4B	<table border="1"> <tbody> <tr> <td>RK33802</td> <td>Replacement WIF Probe (1/2"-20 SAE) - No Internal Resistor, 12/24V - <i>Requires Water Detection Amplifier - See RSL7529 for available Probes, Sensors, and Amplifiers</i></td> </tr> </tbody> </table>	RK33802	Replacement WIF Probe (1/2"-20 SAE) - No Internal Resistor, 12/24V - <i>Requires Water Detection Amplifier - See RSL7529 for available Probes, Sensors, and Amplifiers</i>
RK33802	Replacement WIF Probe (1/2"-20 SAE) - No Internal Resistor, 12/24V - <i>Requires Water Detection Amplifier - See RSL7529 for available Probes, Sensors, and Amplifiers</i>		
4C	<table border="1"> <tbody> <tr> <td>RK 20726</td> <td>Water Detection Module Kit - 12 or 24 vdc - Includes Amplifier (Light and Buzzer) & RK 21069 (WIF Probe) <i>See RSL7529 for available Probes, Sensors, and Amplifiers</i></td> </tr> </tbody> </table>	RK 20726	Water Detection Module Kit - 12 or 24 vdc - Includes Amplifier (Light and Buzzer) & RK 21069 (WIF Probe) <i>See RSL7529 for available Probes, Sensors, and Amplifiers</i>
RK 20726	Water Detection Module Kit - 12 or 24 vdc - Includes Amplifier (Light and Buzzer) & RK 21069 (WIF Probe) <i>See RSL7529 for available Probes, Sensors, and Amplifiers</i>		
4D	RK 11861 Heater Relay Kit - 12 Volt		

2



3



Online Link
Diesel Spin-On Product Selector



RSL0377_CUT_SpinOn_300RC-Series (04/18 Rev -)

Questions? Email: racortech@parker.com Phone: 800-344-3286 News: www.racornews.com