

Diesel Spin-On - 200RMAM Series

FUEL

Specifications:

Height: 215: 7.75" (19.68 cm)
 230: 8.45" (21.46 cm)
 245: 9.95" (25.27 cm)

Width: 3.91" (9.93 cm)

Depth: 4.02" (10.21 cm)

Weight (Dry): 215: 1.8 lbs (0.82 kg)
 230: 2.0 lbs (0.91 kg)
 245: 2.2 lbs (1.0 kg)

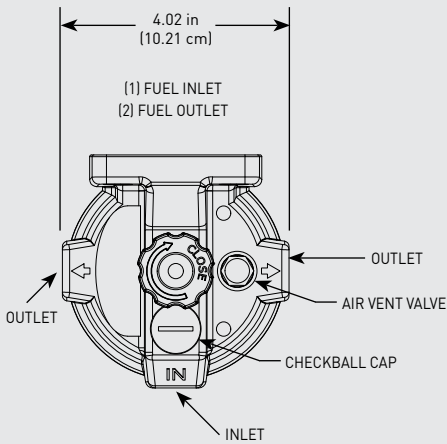
Ports: 1/4-18 NPTF

Service Clearance: 2.0" (5.08 cm) Below

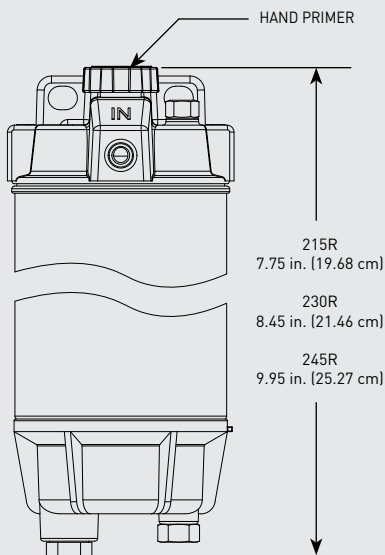
Create a Part Number

Mounting Head	Flow Rating	Micron Rating
Hand Primer - 3 Port	15 gph (57 lph)	UL Marine Listed 10 Micron
2	30 gph (114 lph)	UL Marine Listed 30 Micron - 230R Only
	45 gph (170 lph)	
	15R 30R 45R	MAM MAM30

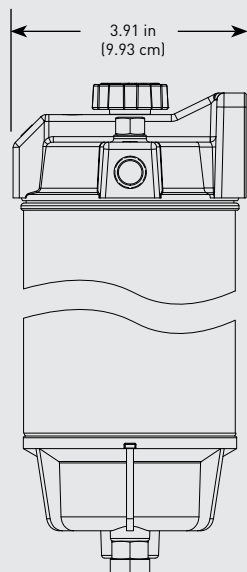
Dimensions:



200 Series Top

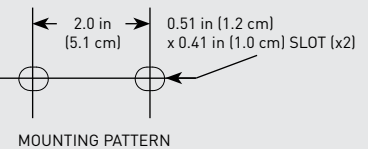


200 Series Front



200 Series Profile

ASSEMBLIES	DESCRIPTION
215RMAM	FF/WS, 15 gph Flow Rate, 10 Micron Filtration, Hand Primer
230RMAM	FF/WS, 30 gph Flow Rate, 10 Micron Filtration, Hand Primer
230RMAM30	FF/WS, 30 gph Flow Rate, 30 Micron Filtration, Hand Primer
245RMAM	FF/WS, 45 gph Flow Rate, 10 Micron Filtration, Hand Primer



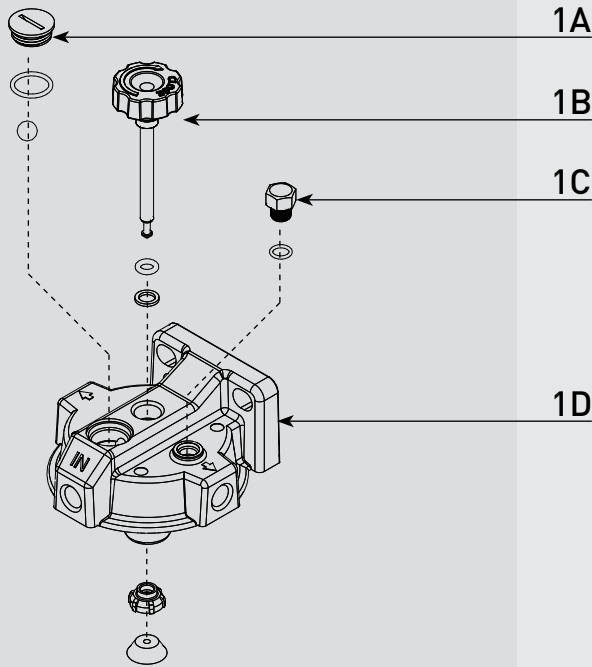
WARNING: The products described in this literature can expose you to chemicals including Diisononyl phthalate, Carbon black extract, which are known to the State of California to cause cancer. For more information go to www.P65Warnings.ca.gov.



PARTS

Diesel Spin-On - 200RMAM Series

1



Part #	Description
1A	RK20011-01 Checkball Cap/Ball Replacement Kit - <i>O-ring and checkball Included in 4A</i>
1B	RK20025-01 Plunger Pump Assembly - <i>Includes 1A, Seal Washer, Shaft O-ring, Plunger Support Ring, & Pump Plunger</i>
1C	Vent Plug - <i>Included in 4A</i>
1D	200 Series Head Assembly

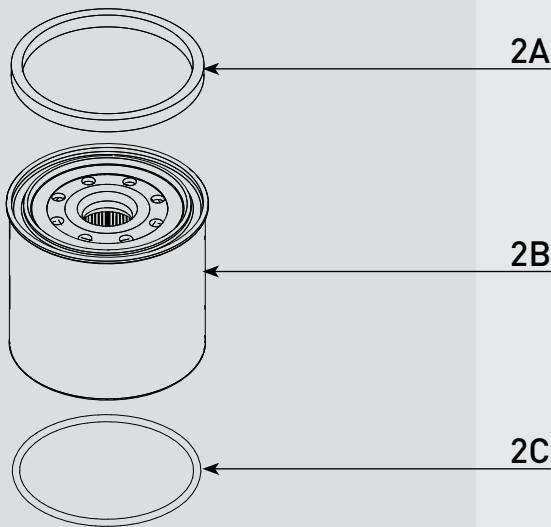
2A	Square Cut Gasket - <i>Included in 2B, & 4A</i>
2B	R15TUL 215RMAM Replacement Filter - 10 micron - <i>Includes 2A, 2C</i> R20TUL 230RMAM Replacement Filter - 10 micron - <i>Includes 2A, 2C</i> R20PUL 230RMAM30 Replacement Filter - 30 micron - <i>Includes 2A, 2C</i> R25TUL 245RMAM Replacement Filter - 10 micron - <i>Includes 2A, 2C</i>
2C	Bowl O-ring - <i>Included in 2B, 3A, 3B & 4A</i>

3A	RK 22368 Replacement Metal Bowl Kit - <i>Includes 2C, 3B, and 3C</i>
3B	Bowl Drain Plug
3C	Bowl WIF Port Plug

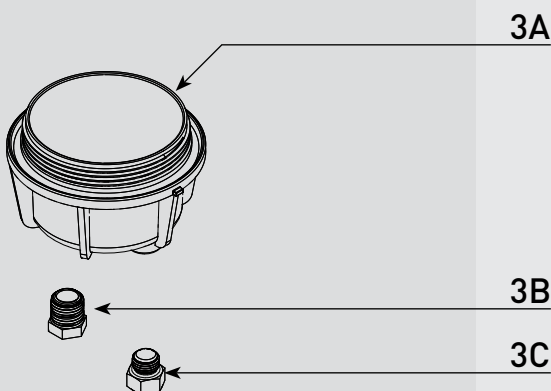
Additional Parts (not shown)

4A	RK20075-01 Complete Seal Service Kit
4B	RK30880E WIF Sensor/Detection Kit - 1/2"-20 UNF RK33802 Replacement WIF Probe (1/2"-20 SAE) - No Internal Resistor, 12/24V - <i>Requires Water Detection Amplifier - See RSL7501 for available Probes, Sensors, and Amplifiers</i>
4C	RK 20726 Water Detection Module Kit - 12 or 24 vdc - Includes Amplifier (Light and Buzzer) & RK 21069 (WIF Probe) See RSL7501 for available Probes, Sensors, and Amplifiers

2



3



Online Link
 Diesel Marine Spin-On Product Selector



RSL0379_CUT_SpinOn_200RMAM-Series (04/18 Rev -)

Questions? Email: racortech@parker.com Phone: 800-344-3286 News: www.racornews.com