

Diesel Spin-On - 200 Series

FUEL

Specifications:

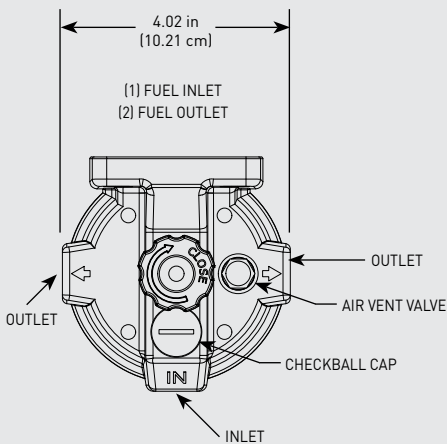
Height:	215: 8.3" (21.1 cm) 230: 9.0" (22.9 cm) 245: 10.5" (26.4 cm)
Width:	4.02" (10.21 cm)
Depth:	3.91" (9.93 cm)
Weight (Dry):	215: 1.8 lbs (0.82 kg) 230: 2.0 lbs (0.91 kg) 245: 2.2 lbs (1.0 kg)
Ports:	1/4-18 NPTF
Service Clearance:	1.25" (3.2 cm)

Create a Part Number

Mounting Head	Flow Rating	Optional Heater	Micron Rating
Hand Primer - 3 Port	15 gph (57 lph) 30 gph (114 lph) 45 gph (170 lph)	12 volt	2 Micron 10 Micron 30 Micron
2	15R 30R 45R	12	2 10 30

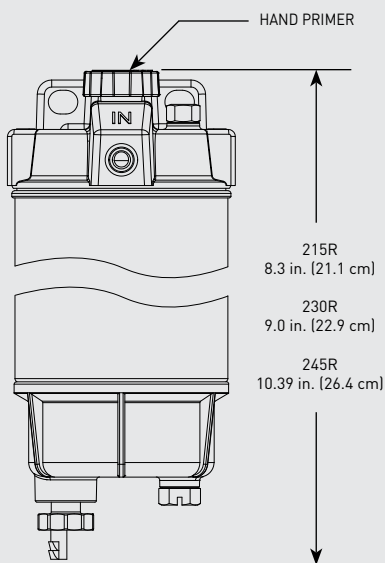
RACOR[®]

Dimensions:

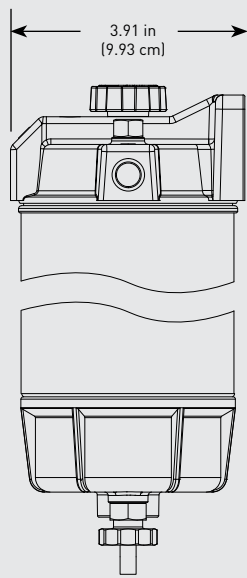


200 Series Top

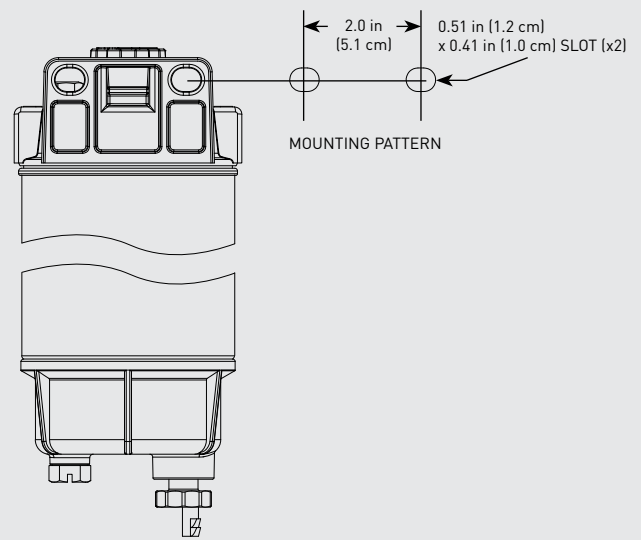
ASSEMBLIES	DESCRIPTION
215R2	FF/WS, 15 gph Flow Rate, 2 Micron Filtration, Hand Primer
215R10	FF/WS, 15 gph Flow Rate, 10 Micron Filtration, Hand Primer
215R30	FF/WS, 15 gph Flow Rate, 30 Micron Filtration, Hand Primer
215R122	FF/WS, 15 gph Flow Rate, 2 Micron Filtration, Hand Primer, 12v Bowl Heater
215R1210	FF/WS, 15 gph Flow Rate, 10 Micron Filtration, Hand Primer, 12v Bowl Heater
215R1230	FF/WS, 15 gph Flow Rate, 30 Micron Filtration, Hand Primer, 12v Bowl Heater
230R2	FF/WS, 30 gph Flow Rate, 2 Micron Filtration, Hand Primer
230R10	FF/WS, 30 gph Flow Rate, 10 Micron Filtration, Hand Primer
230R30	FF/WS, 30 gph Flow Rate, 30 Micron Filtration, Hand Primer
230R1210	FF/WS, 30 gph Flow Rate, 10 Micron Filtration, Hand Primer, 12v Bowl Heater
230R1230	FF/WS, 30 gph Flow Rate, 30 Micron Filtration, Hand Primer, 12v Bowl Heater
245R2	FF/WS, 45 gph Flow Rate, 2 Micron Filtration, Hand Primer
245R10	FF/WS, 45 gph Flow Rate, 10 Micron Filtration, Hand Primer
245R30	FF/WS, 45 gph Flow Rate, 30 Micron Filtration, Hand Primer
245R122	FF/WS, 45 gph Flow Rate, 2 Micron Filtration, Hand Primer, 12v Bowl Heater



200 Series Front



200 Series Profile

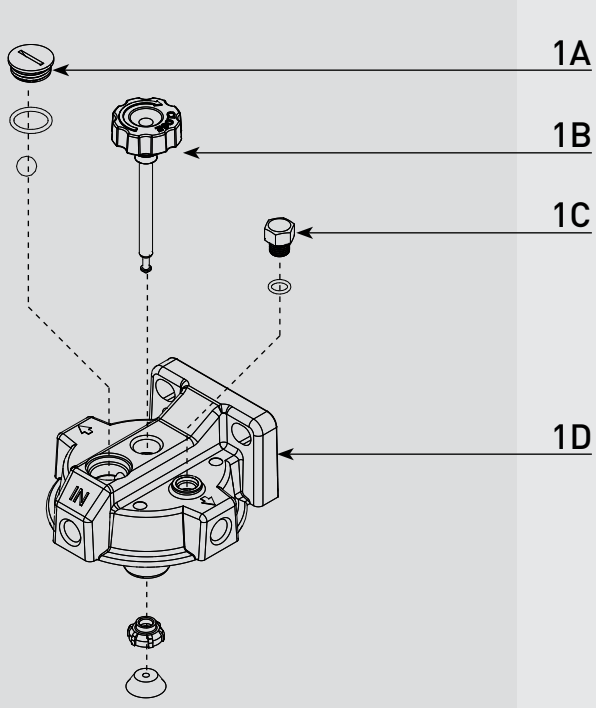


WARNING: The products described in this literature can expose you to chemicals including Diisononyl phthalate, Carbon black extract, which are known to the State of California to cause cancer. For more information go to www.P65Warnings.ca.gov.

PARTS

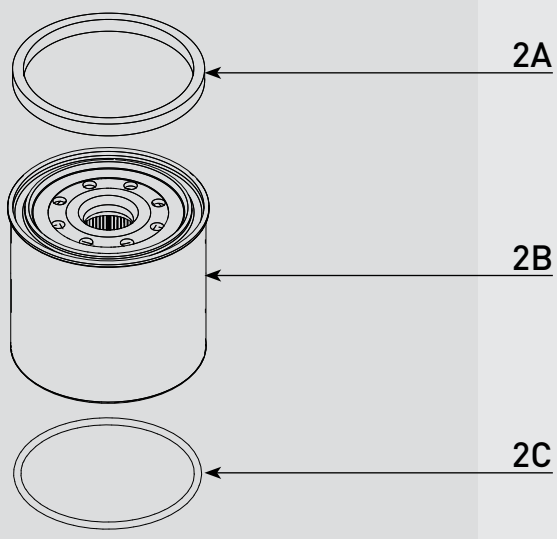
Diesel Spin-On - 200 Series

1



Part #	Description
1A	RK20011-01 Checkball Cap/Ball Replacement Kit - <i>O-ring and checkball Included in 4A</i>
1B	RK20025-01 Plunger Pump Assembly - <i>Includes 1A, Plunger Support Ring, & Pump Plunger</i>
1C	Vent Plug - <i>Included in 4A</i>
1D	200 Series Head Assembly

2



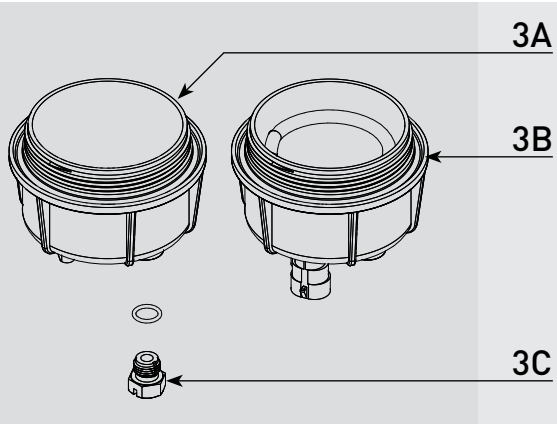
2A	Square Cut Gasket - <i>Included in 2B, & 4A</i>
2B	R15S 215 Replacement Filter - 2 micron - <i>Includes 2A, 2C</i> R15T 215 Replacement Filter - 10 micron - <i>Includes 2A, 2C</i> R15P 215 Replacement Filter - 30 micron - <i>Includes 2A, 2C</i> R20S 230 Replacement Filter - 2 micron - <i>Includes 2A, 2C</i> R20T 230 Replacement Filter - 10 micron - <i>Includes 2A, 2C</i> R20P 230 Replacement Filter - 30 micron - <i>Includes 2A, 2C</i> R25S 245 Replacement Filter - 2 micron - <i>Includes 2A, 2C</i> R25T 245 Replacement Filter - 10 micron - <i>Includes 2A, 2C</i> R25P 245 Replacement Filter - 30 micron - <i>Includes 2A, 2C</i>
2C	Bowl O-ring - <i>Included in 2B, 3A, 3B & 4A</i>

3A	RK 22350-02 Replacement Bowl Kit - <i>Includes 2C, 3C, and 4B</i>
3B	RK 22354-01 Heated Bowl Kit - Clear bowl with 12 vdc heater - <i>Includes 2C, 3C, 4B - Initial installations require heater relay RK 11861 - See 4E</i>
3C	Bowl Plug - <i>O-ring Included in 4A</i>

Additional Parts (not shown)

4A	RK20075-01 Complete Seal Service Kit
4B	Self-Venting Drain
4C	RK30880E WIF Sensor/Detection Kit - 1/2"-20 UNF RK33802 WIF Probe Kit (1/2"-20 SAE) - No Internal Resistor, 12/24V - <i>Requires Water Detection Amplifier See RSL7529 for available Probes, Sensors, and Amplifiers</i>
4D	RK 20726 Water Detection Module Kit - 12 or 24 vdc - Includes Amplifier (Light and Buzzer) & RK 21069 (WIF Probe) <i>See RSL7529 for available Probes, Sensors, and Amplifiers</i>
4E	RK 11861 Heater Relay Kit - 12 Volt
4F	RK 22368 Replacement Metal Bowl Kit - Includes 2C, Metal WIF Port Plug and Metal Drain Plug

3



Online Link
 Diesel Spin-On Product Selector

