

# Diesel Spin-On - 140 Series

# FUEL

## Specifications:

**Height:** 5.91" (15.01 cm)  
**Width:** 3.16" (8.03 cm)  
**Depth:** 3.31" (8.4 cm)  
**Weight (Dry):** 0.88 lbs (0.4 kg)  
**Fuel Flow Rate:** 15 gph (57 lph)  
**Ports:** 1/4-18 NPTF  
**Service Clearance:** 2.0" (5.1 cm)

Create a Part Number

**Mounting Head**

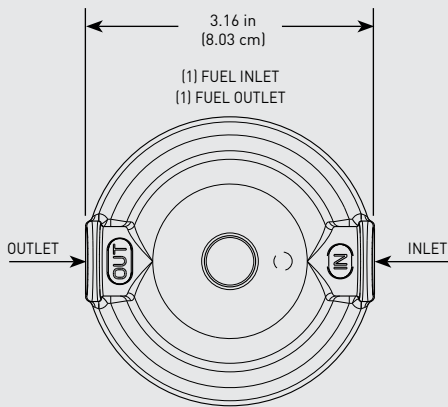
2 Port - Hard Pipe  
 15 gph (57 lph)  
 10 micron filtration

140R

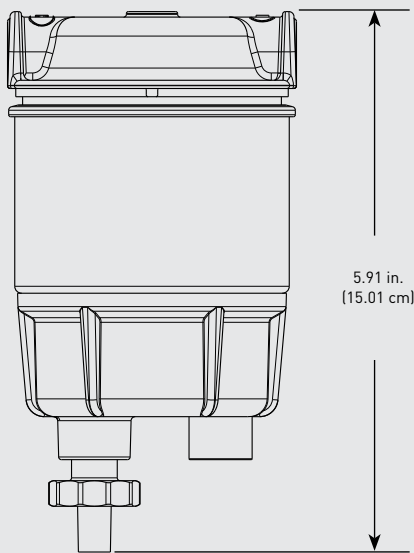
**RACOR®**

## Dimensions:

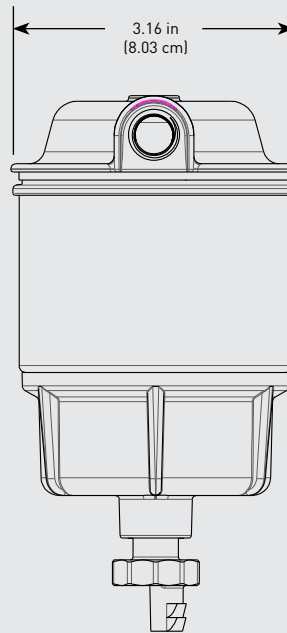
| ASSEMBLIES | DESCRIPTION                                   |
|------------|---|
| 140R       | FF/WS, 15 gph Flow Rate, 10 Micron Filtration |



140R Top



140R Front



140R Profile

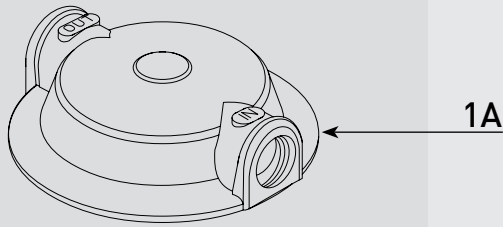


**⚠ WARNING:** The products described in this literature can expose you to chemicals including Diisononyl phthalate, Carbon black extract, which are known to the State of California to cause cancer. For more information go to [www.P65Warnings.ca.gov](http://www.P65Warnings.ca.gov).

# PARTS

## Diesel Spin-On - 140 Series

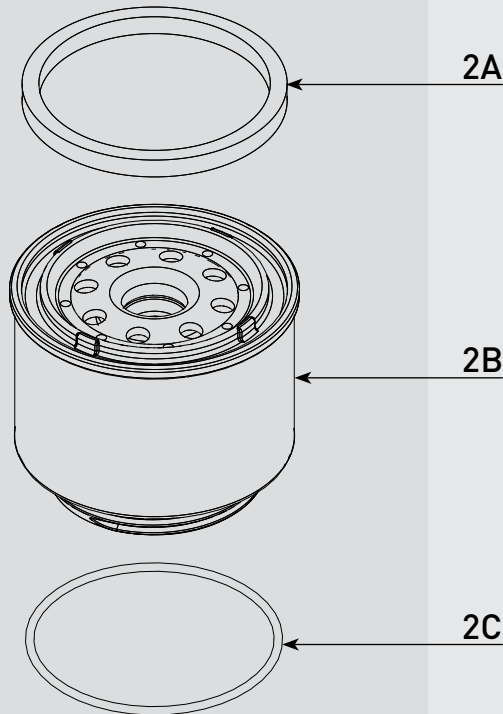
1



1A

| Part # | Description   |
|--------|---|
| 1A     | 140 Series Head Assembly  |
| 2A     | Square Cut Gasket - <i>Included in 2B</i>   |
| 2B     | R12S 140 Replacement Filter - 2 micron - <i>Includes 2A, 2C</i><br>R12T 140 Replacement Filter - 10 micron - <i>Includes 2A, 2C</i><br>R12P 140 Replacement Filter - 30 micron - <i>Includes 2A, 2C</i> |
| 2C     | Bowl O-ring - <i>Included in 2B &amp; 3A</i>  |
| 3A     | RK 10222 Replacement Clear Bowl Kit (W/O Probe Port) - <i>Includes 2C and 4A</i>  |

2



2A

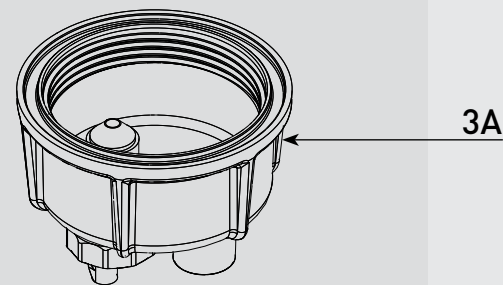
2B

2C

### Additional Parts (not shown)

|    |          |  |
|----|----------|--|
| 4A |          | Self-Venting Drain   |
| 4B | RK 10215 | Replacement Clear Bowl Kit (Probe Port) - <i>Includes 2C, 4A, and 4C</i>   |
| 4C | RK 20126 | Bowl WIF Port Plug Kit   |
| 4D | RK30880E | WIF Sensor/Detection Kit - 1/2" -20 UNF  |
|    | RK33802  | Replacement WIF Probe (1/2" -20 SAE) - No Internal Resistor, 12/24V - <i>Requires Water Detection Amplifier</i><br><i>See RSL7529 for available Probes, Sensors, and Amplifiers</i>            |
| 4E | RK 20726 | Water Detection Module Kit - 12 or 24 vdc - <b><i>Includes Amplifier (Light and Buzzer) &amp; RK 21069 (WIF Probe)</i></b><br><i>See RSL7529 for available Probes, Sensors, and Amplifiers</i> |
| 4F | RK 10226 | Replacement Metal Bowl Kit - Includes 2C, Metal WIF Port Plug and Metal Drain Plug   |

3



3A

Online Link  
Diesel Spin-On Product Selector



RSL0375\_CUT\_SpinOn\_140-Series (04/18 Rev -)

Questions? Email: [racortech@parker.com](mailto:racortech@parker.com) Phone: 800-344-3286 News: [www.racornews.com](http://www.racornews.com)