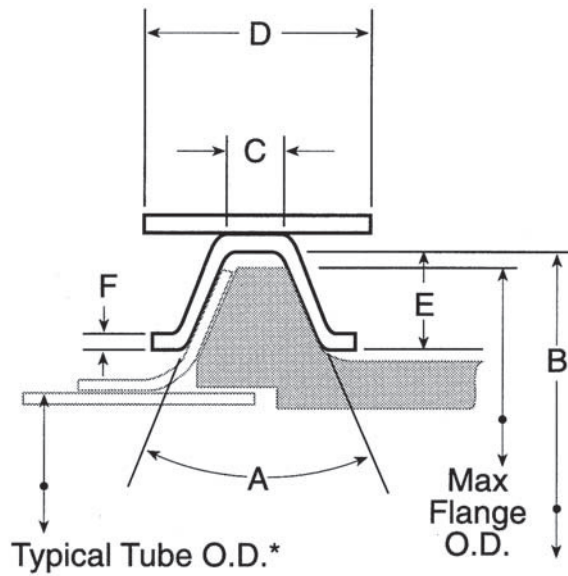
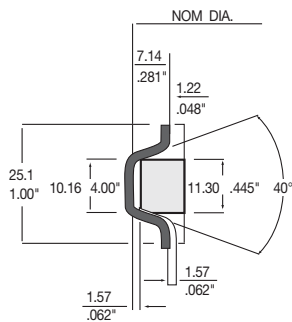


V-Band Clamps

- V-Band Clamps are made of Type 321 Stainless Steel.
- The function of a V-Band clamp is to connect the manifold or turbocharger to the exhaust system.
- These type of clamps are designed to cater to the majority of engine applications and are available in a variety of sizes.

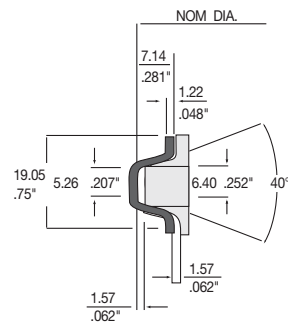


CUMMINS



(wider)

DETROIT



(narrower)

V-Band Clamps

TUBE OD	PART NUMBER	TYPICAL APPLICATION	A	B	C	D	E	F	MAX FLANGE OD
2.50"	90603K	DD 8.2T 8920206	40°	2.88 73mm	.207 5mm	.75 19mm	.28 7mm	.050 1mm	2.75 70mm
2.75"	89571K	Cummins B	40°	3.22 82mm	0.26 7mm	0.85 22mm	0.14 4mm	0.05 1mm	3.13 80mm
3.00"	89530K	Ford D9HT-51210-DA	40°	3.87 99mm	0.43 11mm	0.88 22mm	0.31 8mm	0.08 2mm	3.75 95mm
3.00"	89505K	DD 6V71	40	3.82 97mm	0.21 5mm	0.88 22mm	0.28 7mm	0.08 2mm	3.70 94mm
3.00"	89500K	Cummins V903 Ford 370 & 429 E5HZ-5A321-B	40°	3.88 99mm	0.40 10mm	0.88 22mm	0.28 7mm	0.05 1mm	3.76 96mm
3.13"	89511K	OE Muffler	40°	3.96 101mm	.207 5mm	.88 22mm	.28 7mm	.080 2mm	3.84 98mm
3.50"	89573K	Cummins C	40°	4.12 105mm	0.26 7mm	0.67 17mm	0.14 4mm	0.05 1mm	4.03 102mm
3.50"	89531K	Cat 3208T Ford 6.6, 7.8 E2HT5A212AA	40°	4.19 106mm	0.40 10mm	0.88 22mm	0.28 7mm	0.05 1mm	4.07 103mm
3.50"	89506K	DD8V71	40°	4.25 108mm	0.40 10mm	0.88 22mm	0.28 7mm	0.05 1mm	4.16 106mm
3.50"	89501K	Cummins VT555	40°	4.25 108mm	0.40 10mm	0.88 22mm	0.28 7mm	0.05 1mm	4.16 106mm
3.50"	89512K	IH DT466 & Connector Ends	40°	4.31 109mm	.207 5mm	.88 22mm	.28 7mm	.080 2mm	4.19 106mm
4.00"	89508K	DD 8.2N	40°	4.06 103mm	0.24 6mm	0.88 22mm	0.29 7mm	0.08 2mm	3.94 100mm
4.00"	89520K	Cat 3126T Cat 3176T Cummins L10 Cummins M11	40°	4.75 121mm	0.40 10mm	1 25mm	0.28 7mm	0.05 1mm	4.63 118mm
4.00"	89509K	DD 8.2T GM 2295978	40°	4.75 121mm	0.16 4mm	0.88 22mm	0.31 8mm	0.08 2mm	4.63 118mm
4.00"	89532K	Mack 11ME29	40°	4.94 126mm	0.18 5mm	0.75 19mm	0.28 7mm	0.06 2mm	4.82 122mm
4.00"	89502K	Switzer 4LDE, 4LE, 4LH, 4LS	40°	4.50 114mm	0.26 7mm	0.75 19mm	0.14 4mm	0.05 1mm	4.41 112mm
4.00"	89507K	DD 6-71	40°	4.91 125mm	0.29 7mm	1.13 29mm	0.30 8mm	0.09 2mm	4.79 122mm
4.00"	89533K	Mack 48RU2341	40°	4.61 117mm	0.16 4mm	0.75 19mm	0.22 6mm	0.05 1mm	4.49 114mm
4.00"	89513K	Connector Ends	40°	4.81 122mm	.207 5mm	.88 22mm	.28 7mm	.080 2mm	4.69 119mm
4.88"	89510K	DD 8V71T	40°	5.25 133mm	0.26 7mm	0.75 19mm	0.14 4mm	0.05 1mm	5.16 131mm
5.00"	89503K	Cummins T50 Turbo, M-11	40°	5.88 149mm	0.40 10mm	0.88 22mm	0.28 7mm	0.05 1mm	5.79 147mm
5.00"	89514K	Connector Ends	40°	5.81 148mm	0.21 5mm	0.88 22mm	0.28 7mm	0.08 2mm	5.69 145mm
5.00"	90530K	DD 8V71 Special Manifold	40°	5.87 149mm	0.37 9mm	0.88 22mm	0.30 8mm	0.05 1mm	5.75 146mm
5.25"	89504K	T50 Housing	40°	6.76 172mm	1.67 42mm	1.88 48mm	.281 7mm	.060 1.5mm	6.64 169mm